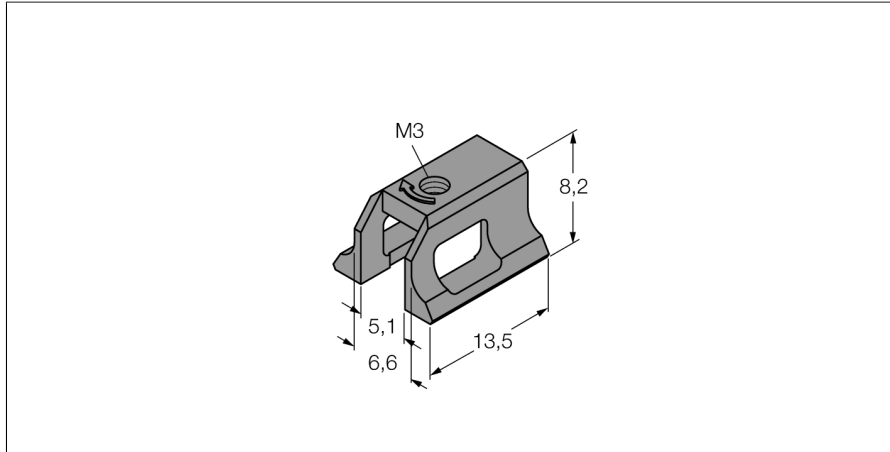


Accessories

Mounting Bracket

For Dovetail Groove Cylinders

KLDT-UNT8



- Mounting on dovetail groove cylinders
- Optimized for Origa cylinder
- Inserted in the groove from the top
- Plastic: Polyphenylene sulfide (PPS)

Type	KLDT-UNT8
ID	6913360
Design	Accessories
Dimensions	13.5 x 6 x 8.2 mm
Housing material	Plastic
Fixing clamp for correspondent cylinder diameter	alle