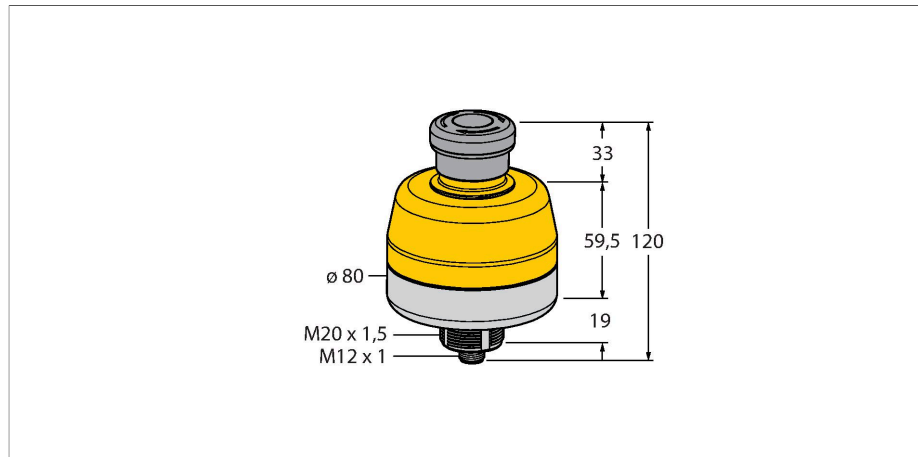


# SSA-EB1PLYR-02ECQ5B

## Safety Technology – E-stop Button

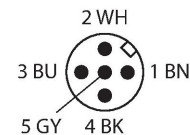
### Illuminated



### Features

- Protection class IP65
- Compatible with Siemens ET 200pro PROFI-safe gateway
- LED yellow/red (flashing)
- 2 safety outputs (NC, potential-free)
- M12 × 1 male connector, 5-pin
- Compatible with Siemens ET 200pro PROFI-safe gateway

### Wiring diagram



### Technical data

|                              |  |
|------------------------------|--|
| Type                         | SSA-EB1PLYR-02ECQ5B                                |
| ID no.                       | 3026267  |
| Function                     | E-stop button, lit                                 |
| Light type                   | Red  |
| Operating voltage            | 12...30 VDC  |
| DC rated operational current | ≤ 65 mA  |
| Output function              | 2 x NC (normally closed), Potential-free           |
| Contact rating               | 1.5A/250V AC-15, 1A/30V DC-13                      |
| Rated insulation voltage     | 250 V  |
| Conventional thermal current | 3 A  |
| Impulse withstand voltage    | 2.5 kV   |
| Insulation resistance        | 100 MΩ   |
| Design                       | Rectangular  |
| Dimensions                   | Ø 80 x 119.8 mm                                    |
| Housing material             | Plastic, PC  |
| Mechanical lifespan          | 0,25 * 10 <sup>6</sup> Switching cycles            |
| B10d value                   | 0,1 * 10 <sup>6</sup> Switching cycles             |
| Pollution degree             | 3  |
| Cascadable                   | yes  |
| Electrical connection        | Connectors, M12 × 1                                |
| Ambient temperature          | -25...+55 °C                                       |
| Relative humidity            | 45...85 %  |
| Protection class             | IP65   |
| <b>Tests/approvals</b>       |  |
| Vibration resistance         | 10 to 500 Hz, 0.35 mm amplitude, 50 g acceleration |

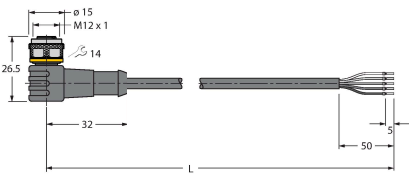

### Functional principle

These electromechanical E-stop switches combine the functions of conventional switches with those of the EZ-LIGHTs. The color changes with the switching state. Local quitting of faults is possible at any time and a latch protects against unwanted quitting. The device is available as round or rectangular version. Both types are IP65 rated. Conventional types without light are also available as well as types for connection to the safety bus from Siemens or AB/ROCKWELL.

## Technical data

|                  |              |
|------------------|--------------|
| Shock resistance | 15 g (11 ms) |
| Approvals        | CE, cULus    |

## Accessories

| Dimension drawing   | Type          | ID no.  |  |
|---|---------------|---------|--|
|  | WKC4.5T-2/TEL | 6625028 | Connection cable, female M12, angled, 5-pin, cable length: 2 m, sheath material: PVC, black; cULus approval; other cable lengths and qualities available, see <a href="http://www.turck.com">www.turck.com</a>   |
|  | RKC4.5T-2/TEL | 6625016 | Connection cable, female M12, straight, 5-pin, cable length: 2 m, sheath material: PVC, black; cULus approval; other cable lengths and qualities available, see <a href="http://www.turck.com">www.turck.com</a> |