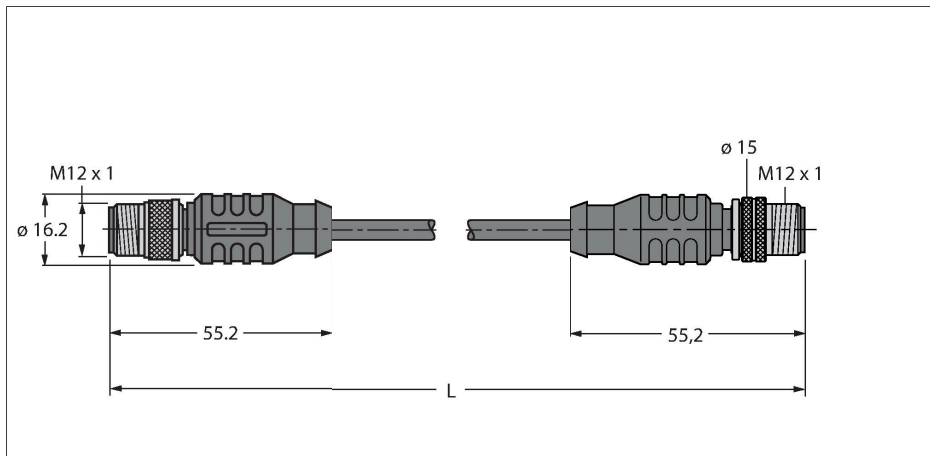


# RSS RSSD 441-2M

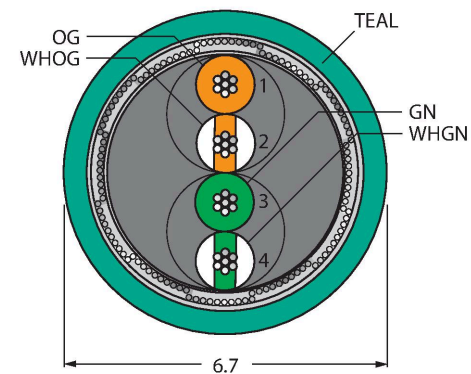
## Industrial Ethernet Cable – Extension Cable



### Features

- M12 eurofast Stecker, gerade
- M12 eurofast Stecker, gerade
- M12 male connector, straight
- M12 male, straight, 8-pin
- Cable length: 2.0 m

### Cable Cross-Section



### Technical data

Type	RSS RSSD 441-2M
ID	U-02620
Connector A	Male, M12 × 1, Straight, A-coded
Number of Pins	8
Contacts	Metal, CuZn, Gold-plated
Contact carriers	Plastic, TPU, Black
Connector body	Plastic, TPU, Black
Coupling nut/screw	Brass, CuZn, Nickel-plated
Tightening torque (range)	0.8 ... 1 Nm (observe max. torque of mating connector!)
Mechanical lifespan	> 100 Mating cycles
Pollution degree	3
Protection class	IP67, Only in screwed condition
Connector B	Male, M12 × 1, Straight, D-coded
Number of pins	4
Contacts	Metal, CuZn, Gold-plated
Contact carriers	Plastic, TPU, Black
Connector body	Plastic, TPU, Black
Coupling nut/retaining screw	Brass, CuZn, Nickel-plated
Tightening torque	0.8 ... 1 Nm (observe max. torque of mating connector!)
Mechanical life	> 100 Mating cycles
Pollution degree	3
Protection class	IP67, Only when screwed together
Cable	
Network protocol	Ethernet
Cable diameter	Ø 6.7 mm

## Technical data

Cable length	2 m
Cable jacket	TPE, Green
Shielding	Aluminum foil, tinned copper wire
Core insulation	PE
Core cross-section	4 x 0.21 mm <sup>2</sup>
Arrangement of strands	7 x 0.2 mm
Core colors	WH/OG, OG, WH/GN, GN
<b>Electrical properties at +20 °C</b>	
Rated voltage	60 V
Current	4 A
<b>Mechanical and chemical properties</b>	
Bending radius (flexible use)	≥ 10 x Ø
Bending cycles	≥ 1 million
Ambient temperature range (stationary)	-40...+80 °C
Ambient temperature range (In motion)	-40...+80 °C
<b>Other Features</b>	
Qualified for drag chain use	yes
UV resistance	yes
Oil-resistant	yes
Approvals	cULus
<b>Note</b>	
- We reserve the right to make technical modifications without prior notice.	