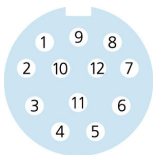
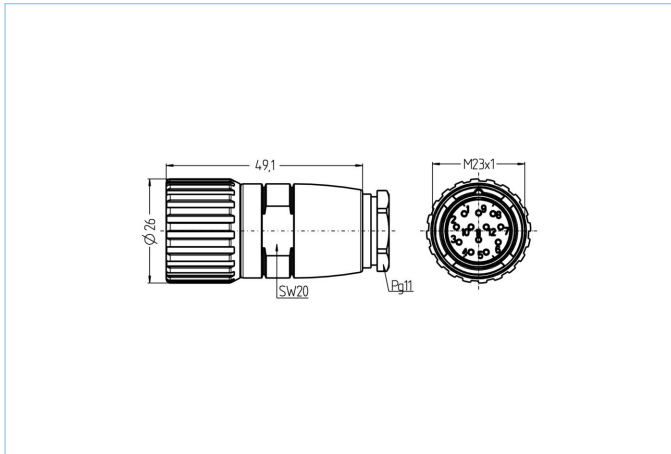


Field-wireable, M23, female, straight, 12 poles, soldering contact, 150V



Product data

Item description	MKCC 12L
Item-No.	8013694
Customs tariff-No.	85366990
Step-File	MKCC 12L.stp
EAN	4047106075873

Technical data

Connector	female, straight, M23
Number of pins	12
Coding	A
Rated voltage	150V
Current load power	8A contacts 10,11,12
Current load signal	4A all other contacts
Insulation resistance	≥10 ⁹ Ω
Ambient temperature product	-40°C...+125°C
Contact material	Metal, CuZn, gold-plated
Contact-carrier material	Plastic, PBT, GY
Grip body material	Metal, CuZn, nickel-plated, silver-plated
Coupling nut material	Metal, CuZn, nickel-plated
Sealing (female) material	Plastic, NBR
Connecting cross-section	contacts 10,11,12 0,75...1,0 mm ² all other 0,5...0,75 mm ²
Cable outlet	8...12 mm
Connecting type	Soldering contact
Standards	IEC 61076-2-101
Degree of protection (mounted)	IP67
Mechanical life-cycle	>100 mating cycles
Degree of pollution	3
Style	straight

Classification

eCl@ss 6.0	27260702
eCl@ss 7.0	27440102
eCl@ss 8.0	27440102
eCl@ss 9.0	27440102
ETIM 5.0	EC002635
ETIM 6.0	EC002635

Link to product

<https://www.escha.net/en/products/standard/field-wireable-connectors/8013694>