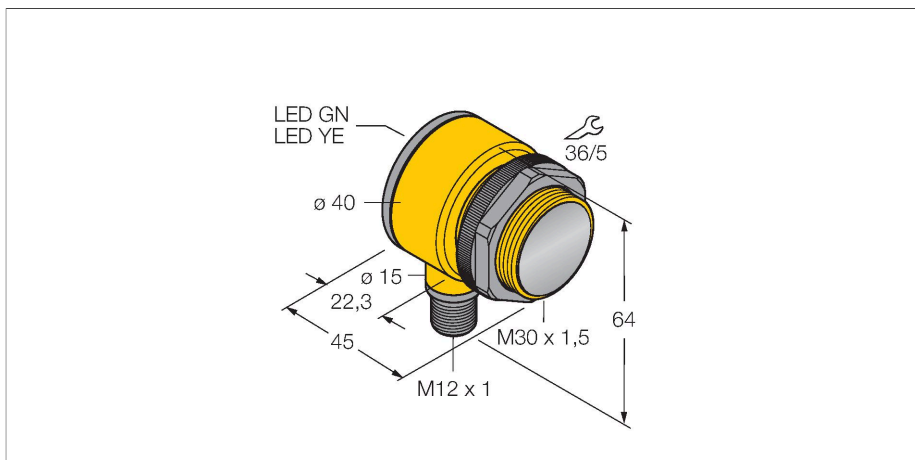


T30SP6REQ

Photoelectric Sensor – Opposed Mode



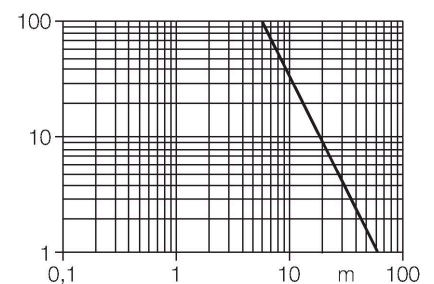
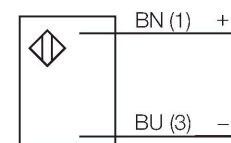
Technical data

Type	T30SP6REQ
ID no.	3037071
Optical data	
Function	Opposed mode sensor
Operating mode	Emitter/receiver pair
Range	60000 mm
Electrical data	
Operating voltage	10...30 VDC
Residual ripple	< 10 % U _{ss}
No-load current	≤ 25 mA
Short-circuit protection	yes / Cyclic
Reverse polarity protection	yes
Output function	Connection programmable, PNP
Switching frequency	≤ 160 Hz
Readiness delay	≤ 100 ms
Response time typical	< 3 ms
Overcurrent release	> 220 mA
Mechanical data	
Design	Rectangular with thread, T30
Dimensions	Ø 30 x 45 x 40 x 64 mm
Housing material	Plastic, Thermoplastic material
Lens	plastic, Acrylic
Electrical connection	Connectors, M12 × 1, PVC
Number of cores	4
Ambient temperature	-40...+70 °C
Protection class	IP69
Special features	Encapsulated

Features

- M12 × 1 male connector, 4-pin
- Protection classes IP67/IP69K
- Ambient temperature: -40 °C...+70 °C
- Operating voltage: 10...30 VDC

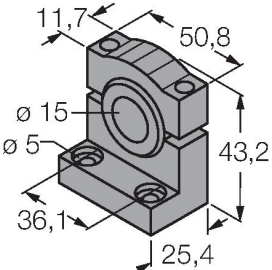
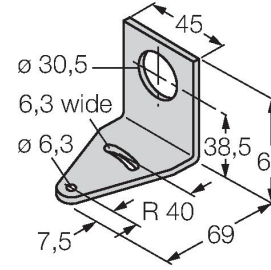
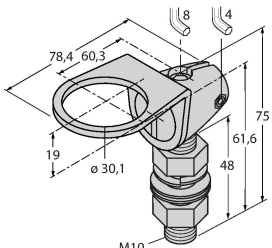
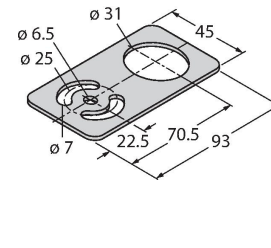
Wiring diagram



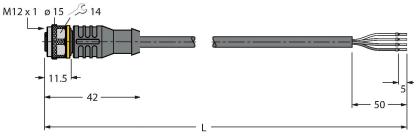
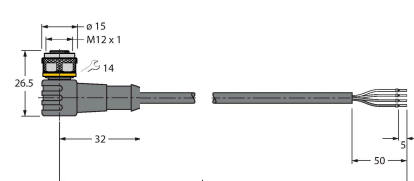
Technical data

	Wash down
Power-on indication	LED, Green
Switching state	LED, Yellow
Error indication	LED, green, Flashing
Excess gain indication	LED
Alarm display	LED yellow Flashing
Tests/approvals	
Approvals	CE, UL, CSA

Accessories

SMB1815SF	3053279	SMB30A	3032723
 <p>Mounting bracket, PBT black, for PICO-GUARD points</p> <p>Dimensions: 11,7, 50,8, 43,2, 36,1, 25,4, ø 15, ø 5</p>		 <p>Mounting bracket, rectangular, stainless steel, for sensors with 30mm thread</p> <p>Dimensions: 45, 61, 38,5, 69, 7,5, R 40, ø 30,5, 6,3 wide, ø 6,3</p>	
SMB30FAM10	3011185	SMBAMS30P	3073135
 <p>Mounting bracket, stainless steel, for M10 x 1.5 thread, thread length 30 mm</p> <p>Dimensions: 78,4, 60,3, 19, 75, 61,6, 48, ø 30,1, M10</p>		 <p>Mounting bracket, stainless steel, for sensors with 30 mm thread</p> <p>Dimensions: 45, 93, 70,5, 22,5, ø 31, ø 25, ø 6,5, ø 7</p>	

Accessories

Dimension drawing	Type	ID no.	
	RKC4.4T-2/TEL	6625013	Connection cable, female M12, straight, 4-pin, cable length: 2 m, sheath material: PVC, black; cULus approval; other cable lengths and qualities available, see www.turck.com
	WKC4.4T-2/TEL	6625025	Connection cable, female M12, angled, 4-pin, cable length: 2 m, sheath material: PVC, black; cULus approval; other cable lengths and qualities available, see www.turck.com