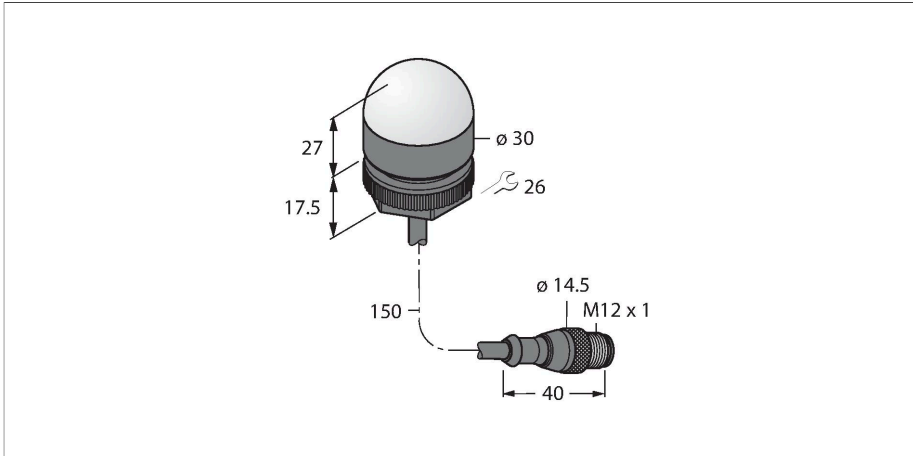


K30LRGX7PQPMA

LED Indicator – Beacon



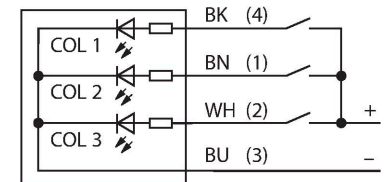
Technical data

Type	K30LRGX7PQPMA
ID	3078778
Signal and display data	
Purpose	LED indicator light
Function	Spotlight
Light type	Red Green
LED service life (L70)	50000 h
Dimmable	No
Features of color 1	Red, Permanently on
Features of color 2	Green
Special features	Wash down
Electrical data	
Operating voltage	10...30 VDC
DC rated operational current	≤ 25 mA
Max. current consumption per color	25 mA
Input type	PNP
Response time typical	< 1 ms
Mechanical data	
Cascadable	No
Design	Dome, K30L
Dimensions	Ø 30 x 44.5 mm
Housing material	Plastic, PC, Black
Window material	Polycarbonate, diffuse
Electrical connection	Cable with connector, M12 × 1, 0.15 m, PUR
Number of cores	4

Features

- LED all-round visible
- Individually controllable
- Mechanical screw-in thread M22x1.5
- Protection class IP67
- Multicolor: Red (COL 1) / Green (COL 2)
- 150 mm PUR cable with male end M12 x 1
- Operating voltage 10...30 VDC

Wiring diagram



Functional principle

The LED display is suitable for the direct connection of sensors. When the sensor is fed, the red light illuminates, when the output is activated the green light illuminates. The green light overwrites the red light.

Technical data

Ambient temperature	-40...+50 °C
Relative humidity	0...90 %
Protection class	IP67 IP69
Tests/approvals	
MTTF	626 years acc. to SN 29500 (Ed. 99) 40 °C
Approvals	CE

Accessories

SMB22A

3079414

Mounting bracket, stainless steel, for K30L series

