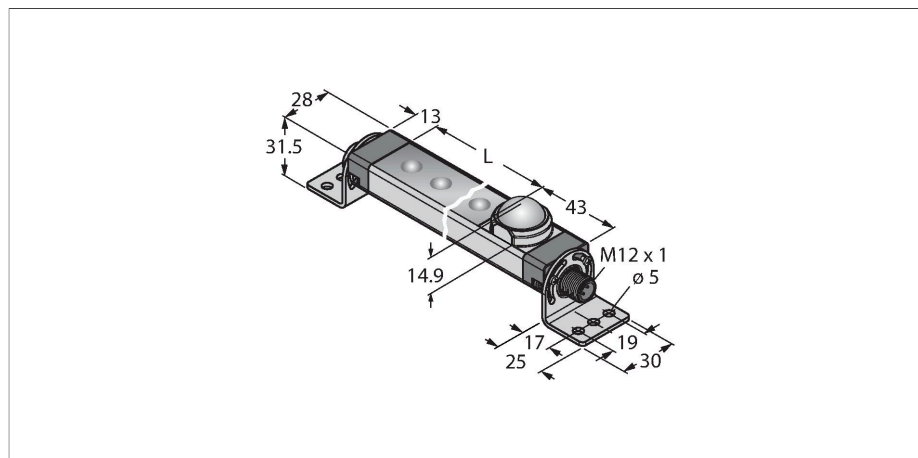


# WLS28-2XW145XMQ

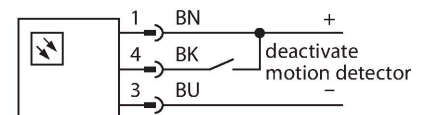
## Work Light – Linear Light



### Features

- Motion detector
- Light beam: 145 mm
- Operating voltage: 12...30 VDC
- Protection class: IP50
- Color: White
- M12 x 1 male, straight, 4-pin
- SMBWLS28RA mounting bracket included in delivery

### Wiring diagram

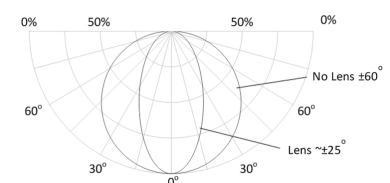


### Technical data

Type	WLS28-2XW145XMQ
ID	3094469
<b>Signal and display data</b>	
Purpose	LED work light
Function	Linear light
Light type	White
Color temperature	6100...+7000 K
Luminous flux lumen	325 lm
Aperture angle degree	60 °
Beam angle	wide beam 40-80°
LED service life (L70)	50000 h
Dimmable	No
Features of color 1	White, Permanently on, 400 lm
<b>Electrical data</b>	
Operating voltage	12...30 VDC
DC rated operational current	≤ 330 mA
Input power	3.96 W
Current consumption non-actuated	≤ 0.17 mA
<b>Mechanical data</b>	
Cascadable	No
Design	Rectangular, WLS28-2
Dimensions	216 x 28 x 35.9 mm
Housing material	Metal, AL
Window material	Polycarbonate, clear
Electrical connection	Connector, M12 × 1, PVC
Number of cores	4
with motion switch	yes

### Functional principle

The energy-efficient LED work lights are ideally suited for industrial applications. The color temperature is between 6,000 and 7,100 Kelvin (cool white). Depending on the model, the luminous flux is 325 or 2600 lumen. The LED light is switched on/off via a built-in motion switch. The range of the motion switch is 12 meters at a field of view of  $\pm 45^\circ$ . After about 60 seconds without motion detection, the LED light will turn off automatically. Moreover, this motion switch can be disabled by controlling a high signal on pin 4. Cascadable variants are also available. Variants with a clear or diffuse plastic windows, as well as with an aperture angle of  $25^\circ$ .



## Technical data

Ambient temperature	-20...+60 °C
Storage temperature	-40...+70 °C
Relative humidity	0...90 %
Protection class	IP50
<b>Tests/approvals</b>	
Approvals	CE, UL

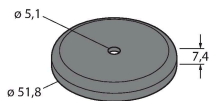
Light Length	Typical Current			Max. Current
	12 VDC	24 VDC	30 VDC	A
145 mm	0.33 A	0.15 A	0.12 A	0.4
285 mm	0.66 A	0.30 A	0.24 A	0.8
430 mm	1.01 A	0.46 A	0.36 A	1.2
570 mm	1.36 A	0.61 A	0.48 A	1.6
710 mm	1.75 A	0.77 A	0.60 A	2.0
850 mm	2.13 A	0.92 A	0.73 A	2.4
990 mm	2.59 A	1.08 A	0.85 A	2.8
1130 mm	3.04 A	1.24 A	0.97 A	3.2

## Accessories

SMBWLSMAG

3019574

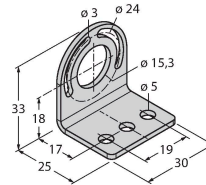
Magnetic fixture for mounting work lights and sensors, 2 pieces



SMBWLS28RA

3015764

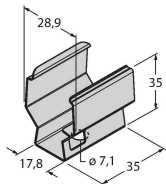
Mounting bracket, angled, metal, for WLS28 work lights, 5 mm drill holes, screw set included



SMBWLS28SP

3088063

Snap bracket for mounting WLS28 work lights



## Accessories

Dimension drawing	Type	ID	
	RKC4.4T-2/TEL	6625013	Connection cable, M12 female connector, straight, 4-pin, cable length: 2 m, jacket material: PVC, black; cULus approval
	WKC4.4T-2/TEL	6625025	Connection cable, M12 female connector, angled, 4-pin, cable length: 2 m, jacket material: PVC, black; cULus approval