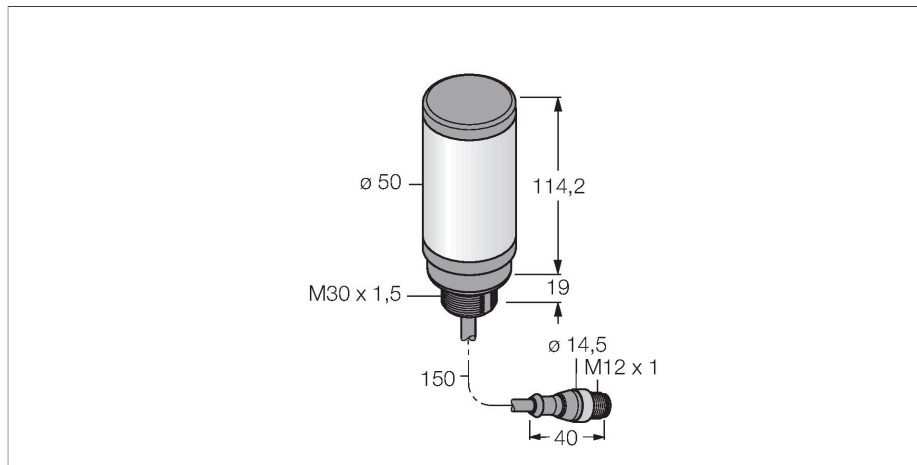


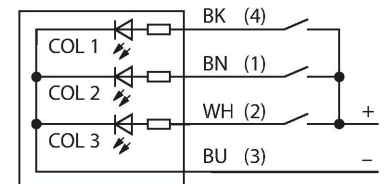
CL50GRXPQP LED Indicator – Tower Light



Features

- LED tower light
- Individually controllable
- Mechanical screw-in thread M30x1.5
- Protection class IP67
- Multicolor: Green (COL 1) / Red (COL 2)
- Cable with male end M12 x 1
- Operating voltage 18...30 VDC

Wiring diagram



Functional principle

Multicolor/multifunction display
Rugged and well-priced LED tower, easy to install
Illuminated segments for clear operator guidance and display of system status.
Display of up to 3 colors.
Compact devices, no controller required
No mounting
The wiring diagram shows the PNP input configuration. An instruction leaflet with detailed information about the connection is included with the devices.

Technical data

| | |
|------------------------------------|--|
| Type | CL50GRXPQP |
| ID | 3010498 |
| Signal and display data | |
| Purpose | LED indicator light |
| Function | Tower light |
| Light type | Green Red |
| Dimmable | No |
| Features of color 1 | Green, Permanently on, 72 lm |
| Features of color 2 | Red, Permanently on, 38 lm |
| Electrical data | |
| Operating voltage | 18...30 VDC |
| DC rated operational current | ≤ 100 mA |
| Max. current consumption per color | 100 mA |
| Input type | PNP |
| Response time typical | < 10 ms |
| Mechanical data | |
| Cascadable | No |
| Design | Smooth barrel, CL50 |
| Dimensions | Ø 50 x 114.2 mm |
| Housing material | Plastic, ABS/Polycarbonate, Black |
| Window material | Polycarbonate, diffuse |
| Electrical connection | Cable with connector, M12 x 1, 0.15 m, PVC |
| Number of cores | 4 |
| Ambient temperature | -40...+50 °C |
| Relative humidity | 0...95 % |

Technical data

Protection class IP67

Tests/approvals

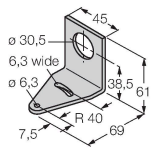
Approvals CE, UL listed

Accessories

SMB30A

3032723

Mounting bracket, rectangular, stainless steel, for sensors with 30mm thread



SMB30SC

3052521

Mounting bracket, PBT black, for sensors with 30 mm thread, rotatable

