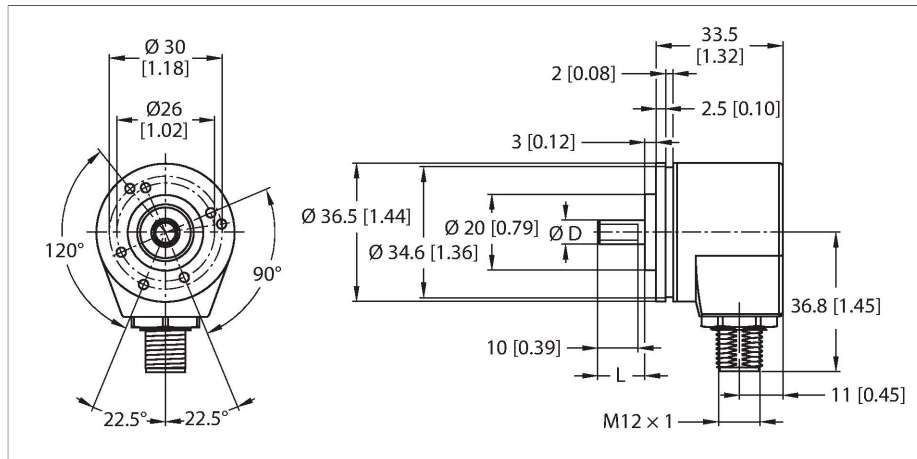


REI-04QA0C-4A200-H1181

Incremental Encoder

Industrial Line



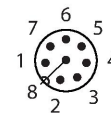
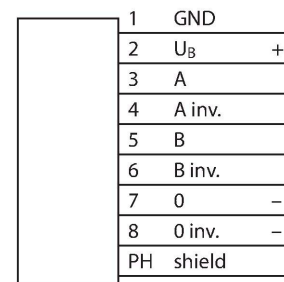
Features

- Clamping flange, Ø 36.5 mm
- Solid shaft with flat, Ø ¼" × 12.5 mm
- Optical measuring principle
- Shaft material: stainless steel
- Protection class shaft IP50
- Protection class housing IP65
- -20...+85 °C
- Max. 12000 rpm
- 5 VDC
- RS422/TTL invertible
- Pulse frequency max. 200 kHz
- M12 × 1 male connector, 8-pin
- 200 pulses per revolution

Technical data

Type	REI-04QA0C-4A200-H1181
ID	100011156
Measuring principle	Optical
General data	
Max. Rotational Speed	12000 rpm
Moment of inertia of the rotor	$0.2 \times 10^{-5} \text{ kgm}^2$
Starting torque	< 0.05 Nm
Output type	Incremental
Resolution, incremental	200 ppr
Electrical data	
Operating voltage	5 VDC
No-load current	90 mA
Output current	≤ 20 mA
Short-circuit protection	yes
Pulse frequency max.	200 kHz
Signal level high	min. 2.5 V
Signal level low	max. 0.5 V
Output function	RS422, invertible
Mechanical data	
Design	Solid shaft
Flange type	Clamping flange
Flange diameter	Ø 36.5 mm
Shaft Type	Solid shaft
Shaft diameter D [mm]	6.35
Shaft Length L [mm]	12.5
	Shaft with flat

Wiring diagram



Technical data

Shaft material	Stainless steel
Housing material	Aluminum chromated
Electrical connection	Connector, M12 × 1
	8-pin, radial
Axial shaft load	20 N
Radial shaft load	40 N
Environmental conditions	
Ambient temperature	-20...+85 °C
Vibration resistance (EN 60068-2-6)	100 m/s ² , 55...2000 Hz
Shock resistance (EN 60068-2-27)	1000 m/s ² , 6 ms
Protection class	IP65
Protection class shaft	IP50

Accessories

Dimension drawing	Type	ID	
	RKC8T-2/TXL	6625142	Connection cable, M12 female connector, straight, 8-pin, cable length: 2 m, jacket material: PUR, black; cULus approval
	WKC8T-2/TXL	6625145	Connection cable, M12 female connector, angled, 8-pin, cable length: 2 m, jacket material: PUR, black; cULus approval