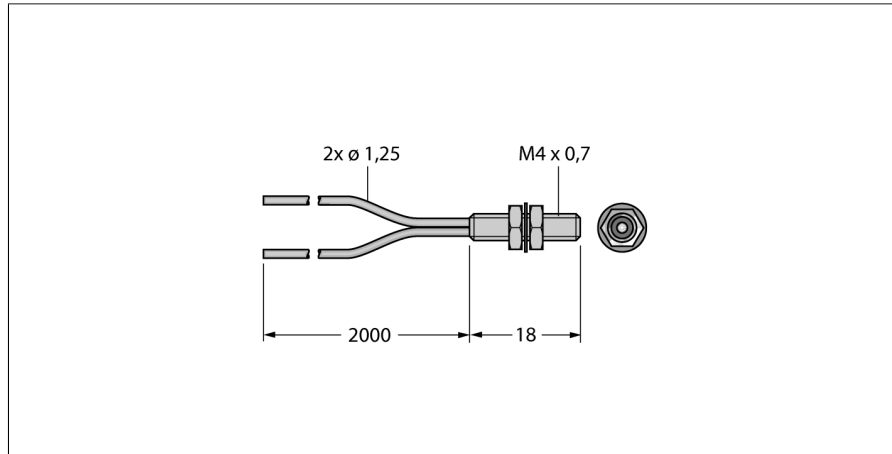


Plastic Fiber Bifurcated Fiber PBCT26U



- Operation: diffuse/opposed mode
- Polyethylene sheath, flexible
- Operating temperature: -30...+70 °C
- Cable, straight, customizable
- End sleeve for sensor, coaxial, threaded
- Optical fiber, core diameter 0.5 mm
- Optical fiber, total length: ± 1829 mm

Functional principle

Glass or plastic fibers are the optimum choice for high-temperature applications and limited spaces. They transfer the light from the sensor to a remote object. Individual fibers are used for opposed mode sensing, whereas bifurcated fibers are suited for retroreflective or diffuse mode operation.

Type	PBCT26U
ID	3045091
Optical data	
Function	Diffuse mode sensor
Fiber-optic type	Plastic
Mechanical data	
Design	Circular
Housing material	Plastic, PE, Black
Jacket material	Polyethylene
Jacket material	plastic, PE
Bundle diameter	0.5 mm
Material of the fiber-optic tip	Stainless Steel
Bending cycles	1000
Bending radius	Ø 5 mm
Ambient temperature	-30...+70 °C
Max. temperature tip	70 °C