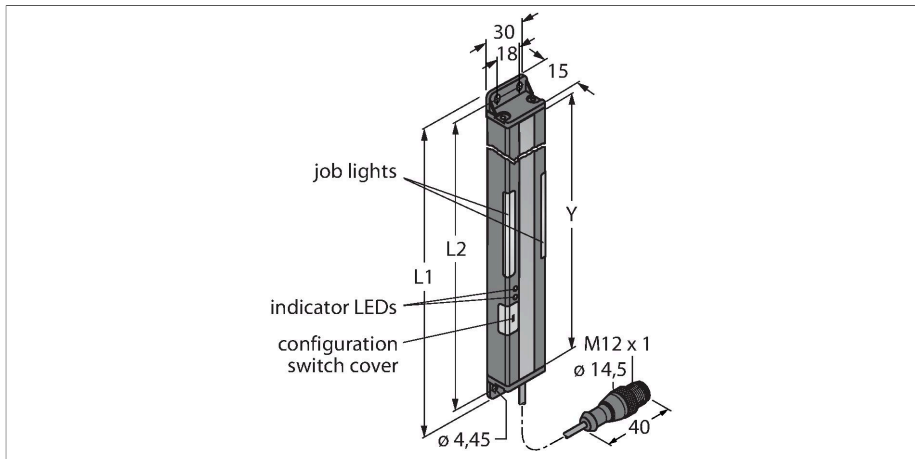


PVA100P6RQ

Pick-to-Light – Placement Sensor

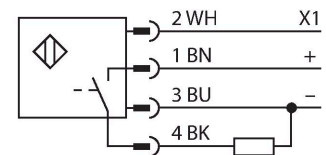
Light Grid



Features

- Scan field Y: 100 mm
- Total height 137.8 mm
- 5-beam system, beam spacing 25 mm
- Receiver
- Range max. 2 m
- Light / Dark operation
- Selectable frequency as protection against crosstalk
- Operating voltage 12...30 VDC
- PNP switching output of the receiver
- Input of operation request light +24 VDC
- Protection class IP62

Wiring diagram



Functional principle

This light screen used for fault detection and assembly sequences, has good visible job lights at the emitter and the receiver, guiding the operator through the picking sequence. Missing parts and incorrect assembly are thus avoided. A control unit issues the work sequence and indicates the next work step after receiving feedback from the light screen. Misspick is immediately detected and indicated by a red flashing light.

Technical data

Type	PVA100P6RQ
ID	3051917
Signal and display data	
Purpose	Pick-to-Light
Function	Opposed mode sensor
Max. range	2000 mm
Scan field	100 mm
Number of beams	5
Optical resolution	25 mm
Switch Function	Momentary
Features of color 1	Green, Can be set via DIP switches
Electrical data	
Operating voltage	12...30 VDC
Max. current consumption per color	62 mA
Output function	NO/NC, PNP
Input type	Bipolar (PNP/NPN)22
Response time typical	< 20 ms
Mechanical data	
Design	Rectangular, PVA
Dimensions	137.8 x 30 x 15 mm
Housing material	Metal, AL, Black
Window material	Acrylic, clear
Electrical connection	Cable with connector, M12 x 1, 2 m, PVC
Number of cores	4
Ambient temperature	0...+50 °C

Technical data

Protection class IP62

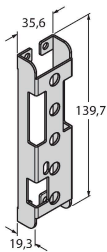
Tests/approvals

Approvals CE, cURus

Accessories

SMBPVA5

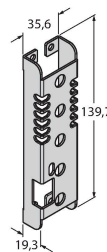
3056500



Mounting bracket, for PVA100, cold-rolled steel, cut-out for DIP switch block

SMBPVA5A

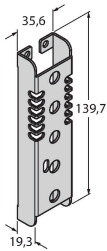
3062446



Mounting bracket, for PVA100, cold-rolled steel, cut-out for DIP switch block, protection for light

SMBPVA5AB

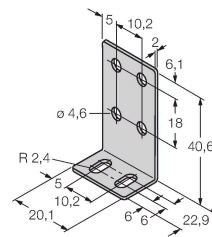
3070805



Mounting bracket, for PVA100, cold-rolled steel, no cut-out for DIP switch block, protection for light

SMBPVA1

3056884



Mounting bracket, for PVA and PVD, stainless steel; set consisting of two brackets and screws

Accessories

Dimension drawing

Type

ID

RKC4.4T-2/TEL

6625013

Connection cable, M12 female connector, straight, 4-pin, cable length: 2 m, jacket material: PVC, black; cULus approval



WKC4.4T-2/TEL

6625025

Connection cable, M12 female connector, angled, 4-pin, cable length: 2 m, jacket material: PVC, black; cULus approval

