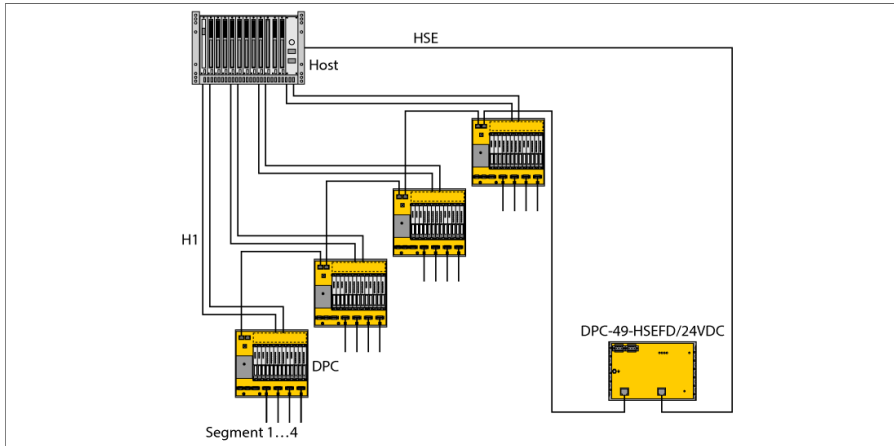


FOUNDATION fieldbus HSE Field Device DPC-49-HSEFD/24VDC



The DPC system (Diagnostic Power Conditioner) is a power supply system for the installation of FOUNDATION™ fieldbus H1 segments. It provides extensive diagnostic options for monitoring FOUNDATION™ fieldbus segments and thus supports plantwide asset management.

A DPC system consists of one or more module racks, each of which can take up to eight DPC-49-IPS1 power supply modules and one DPC-49-ADU or DPC-49-DU diagnostic module. Up to four H1 segments per module rack can be operated and monitored redundantly in the FOUNDATION™ fieldbus network. The diagnostic data of the H1 segments can be transmitted via the DPC-49-HSEFD/24VDC HSE field device to the higher level Asset Management System (only in conjunction with the diagnostic module DPC-49-ADU).

The DPC-49-HSEFD/24VDC HSE field device transmits the diagnostic data of up to 16 H1 segments via the FOUNDATION™ fieldbus HSE interface module to the higher-level asset management system. Only diagnostic data of the DPC-49-ADU diagnostics modules is transmitted via the HSE interface module, and not the process data of the H1 segments. Each diagnostics module monitors up to four H1 segments.

As a FOUNDATION™ fieldbus device the HSE interface module features a resource and transducer block as well as several standard function blocks. On the basis of these standard function blocks, suitable applications can be programmed in the control system for the analysis of diagnostic data.

- HSE field device for transmission of diagnostic data
- FOUNDATION fieldbus function blocks for remote diagnostics
- Local diagnostics via LEDs
- Long-term diagnostics of 16 H1 segments
- Complete galvanic isolation

Type	DPC-49-HSEFD/24VDC
ID	6882014
Operating voltage	18...32 VDC
Power consumption	≤ 2 W
Current consumption	< 100 mA
Galvanic isolation	All-round galvanic separation, test voltage 500 VAC
Displays/Operating elements	
Operational readiness	2 × green
State/ Fault	1 × yellow/red
Bus communication	1 x green / yellow
Int. communication (CAN)	1 × yellow/red
Electrical connection	Removable terminal block, reverse polarity protected, screw connection RJ45 port
Protection class	IP20
MTTF	88 years acc. to SN 29500 (Ed. 99) 40 °C
Ambient temperature	-20...+60 °C
Housing material	Aluminium
Housing color	Black/yellow
Dimensions	176 x 105 x 31 mm
Connection mode	snap-fit on DIN rail (DIN 60715)

Dimensions

