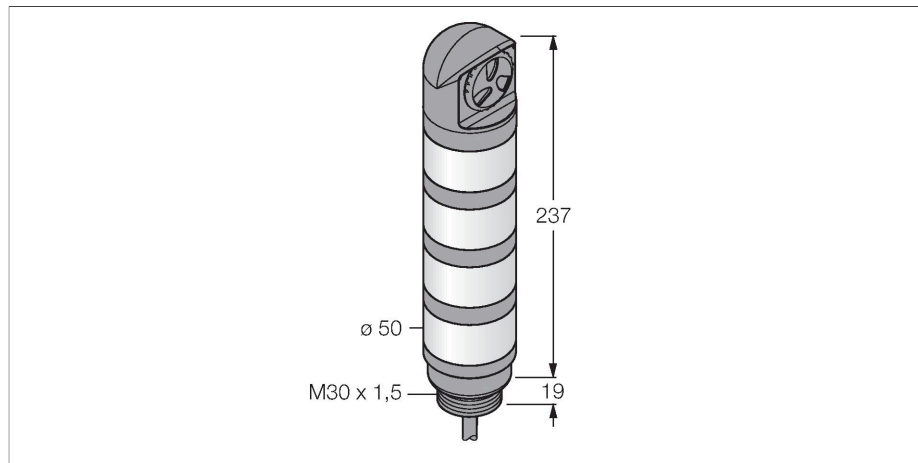


TL50BLZGBY2R1ALS3C

LED Indicator – Tower Light



Features

- Plastic housing, grey
- Protection class IP67
- EMI and RFI immune
- Colors: Green (COL 1) / Blue (COL 2) / Yellow flashing (COL 3) / Red rotating (COL 4)
- Operating voltage: 85...264 VAC
- Cable, 2 m, 6-pin
- Beeper: Sealed, pulsed tone max. 94 dB

Functional principle

The rugged multifunction TL50 beacons are available in many variations and are easily mounted. They can be assembled from maximally four varicolored LEDs, with or without beeper. You can choose from three different lighting functions (steady, rotating, flashing). In the type code the lighting function is indicated after the color (without number: steady; 1: rotating; 2: flashing). Good visible display of status for indoor and outdoor applications.

The wiring diagram shows a PNP pin assignment

The type code indicates the 5 colors blue (B), green (G), red (R), yellow (Y) and white (W) in the same order in which they are arranged in the beacon, from bottom to top. Example: TL50GYRQ.

Technical data

Type	TL50BLZGBY2R1ALS3C
ID	3095176
Purpose	LED indicator light
Function	Tower light
Light type	Green Blue Yellow Red
LED service life (L70)	50000 h
Dimmable	No
Features of color 1	Green, Permanently on, 52 lm
Features of color 2	Blue, Permanently on, 16 lm
Features of color 3	Yellow, Flashing, 15 lm
Features of color 4	Red, Rotating, 24 lm
Acoustic signal	Pulsed, 94 dB
Electrical data	
Operating voltage	85...264 VAC
AC rated operational current	≤ 70 mA
Max. current consumption per color	55 mA
Max. current consumption of beeper	30 mA
Input type	AC
Response time typical	< 500 ms
Mechanical data	
Cascadable	No
Design	Smooth barrel, TL50BLZ
Dimensions	Ø 50 x 265.2 mm
Housing material	Plastic, ABS, Grey
Window material	Polycarbonate, clear

Technical data

Electrical connection	Cable, 2 m, PVC
Number of cores	6
Ambient temperature	-20...+50 °C
Relative humidity	0...95 %
Protection class	IP67
Tests/approvals	
Approvals	CE, UL listed