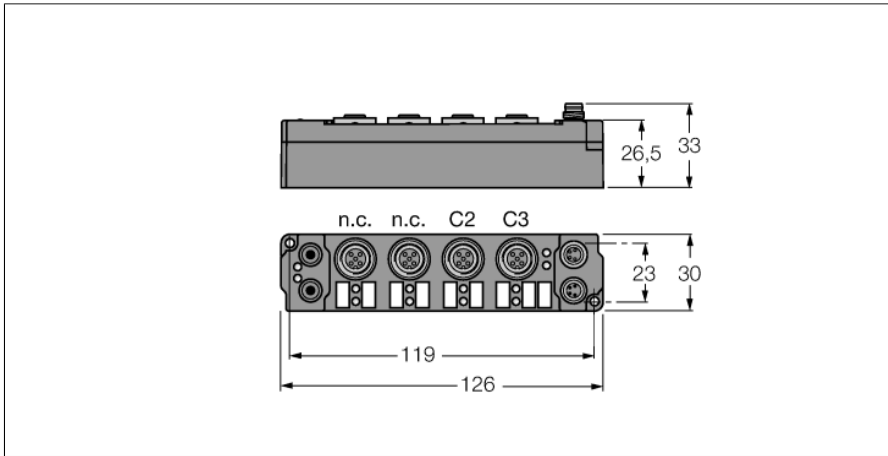
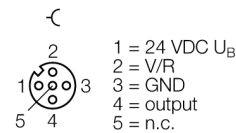


piconet Extension Module for IP-Link 2-channel Pulse Width Modulation (PWM) SNNE-0002D-0002

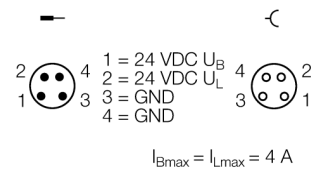


- Pulse width modulation
- 2-channel
- 2.5 A per channel
- Direct connection to the IP link
- Fibre-glass reinforced housing
- Encapsulated module electronics
- Metal connector
- Degree of protection IP67

M12 × 1 Output



M8 × 1 Power Supply



Type	SNNE-0002D-0002
ID	6824177
Number of channels	2
Operating / load voltage	20...29 VDC
Operating current	≤ 25 mA
Fibre-optic length	≤ 15 m
V/R output	0.5 A short-circuit proof
Output current per channel	2.5
Load type	resistive, inductive
Base frequency	1 Hz...10 kHz (default 250 Hz)
Duty factor	0...100 % (t ON > 750 ns, t OFF > 500 ns)
Resolution	10 Bit
Freewheeling diode	on the outputs
Dimensions (W x L x H)	30 x 126 x 26.5 mm
Vibration test	Acc. to EN 60068-2-6
Shock test	acc. to DIN EN 60068-2-27
Electromagnetic compatibility	Acc. to EN 61000-6-2/EN 61000-6-4
Protection class	IP67
Approvals	CE, cULus

Data in process image

	Address	Input data		Output data	
Pre-conditions	Word	High-Byte	Low-Byte	High-Byte	Low-Byte
Complex mapping: Data are mapped with control and status byte	0	Ch0 Reg1	SB0	Ch0 D1	CB0
	1	SB1	Ch0 Reg0	CB1	Ch0 D0
	2	Ch1 Reg0	Ch1 Reg1	Ch1 D0	Ch1 D1