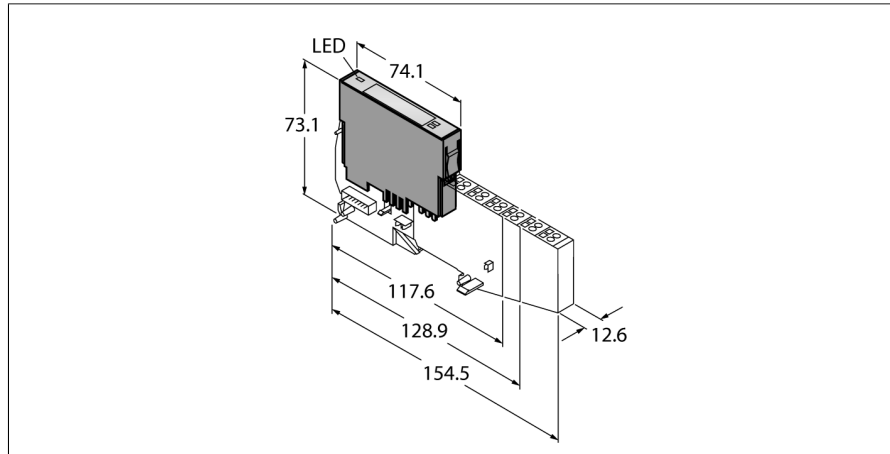


BL20 electronic module

RS232 Interface

BL20-1RS232



- Fieldbus and connection technology independent
- Protection class IP20
- LEDs indicate status and diagnostic
- Electronics galvanically separated from the field level via optocouplers
- Transmission of serial data via RS232 interface
- For connection of printers, light screens and bar code scanners e.g.

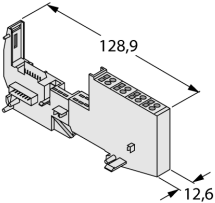
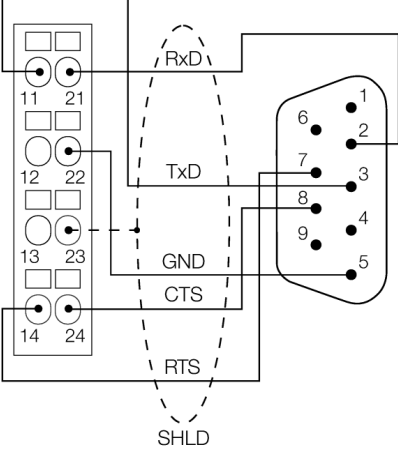
Functional principle

BL20 electronic modules are plugged into the purely passive base modules which are used for connection of field devices. Maintenance is significantly facilitated due to separation of the connection level from the module electronics. Furthermore flexibility is enhanced because the base modules provide a choice of tension spring or screw connection technology.

The electronic modules are completely independent of the type of higher level field bus through the use of gateways.

Type	BL20-1RS232
ID	6827169
Number of channels	1
Rated voltage from the supply terminal	24 VDC
Nominal current from field supply	≤ 25 mA
Nominal current from module bus	≤ 140 mA
Power dissipation, typical	≤ 1 W
Inputs/outputs	
Transmission level active (URS1)	-15...-3 VDC
Transmission level inactive (URSO)	3...15 VDC
Common-mode range (UGL)	-7...12 VDC
Transmission signals	RxD, TxD, RTS, CTS
Receive/send data buffer	128/64Byte
Connection type	full duplex
Transmission rate	300 to 115,200 bps
Parameters	Transmission rate, diagnostics, data bits, stop bits, XON - character, XOFF - character, parity, flow control
Cable length	15 m
Electrical isolation	Electronics and field level isolated via optocouplers
Output connectivity	Screw, tension spring
Dimensions (W x L x H)	12.6 x 74.1 x 55.4 mm
Approvals	CE, cULus, zone 2, Class I, Div. 2
Ambient temperature	0...+55 °C
Storage temperature	-25...+85 °C
Relative humidity	15...95 %, no condensation allowed
Vibration test	Acc. to EN 61131
Shock test	Acc. to IEC 60068-2-27
Drop and topple	acc. to IEC 68-2-31 and free fall to IEC 68-2-32
Electromagnetic compatibility	Acc. to EN 50082-2
Protection class	IP20
MTTF	871 years acc. to SN 29500 (Ed. 99) 20 °C

Compatible base modules

Dimension drawing	Type	Pin configuration
	<p>BL20-S4T-SBBS 6827046 Tension spring connection</p> <p>BL20-S4S-SBBS 6827047 Screw connection</p>	<p>Wiring Diagram</p> 

Accessories

Type code	Ident no.		Dimension drawing
ZBW5-2BETÄTIGUNGSWE	6827106	Tension spring tool	