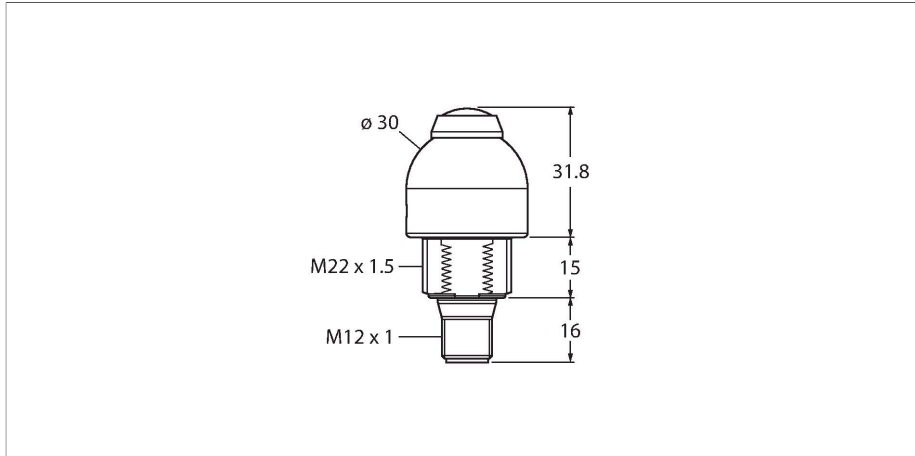


K30LMXXPPB2Q

LED Indicator – Beacon

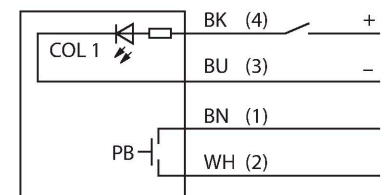
With Integrated Button



Features

- LED all-round visible
- Individually controllable
- Mechanical screw-in thread M22x1.5
- Protection class IP67
- Monochrome: Magenta (COL 1)
- Pushbutton closes potential-free contacts on Pin 1 (BN) and 2 (WH)
- Male M12x1
- Operating voltage 10...30 VDC

Wiring diagram



Technical data

Type	K30LMXXPPB2Q
ID	3025427
Signal and display data	
Purpose	LED indicator light
Function	Spotlight
Light type	Magenta
LED service life (L70)	50000 h
Switch Function	Momentary
Dimmable	No
Features of color 1	Magenta, Permanently on
Electrical data	
Operating voltage	10...30 VDC
DC rated operational current	≤ 25 mA
Max. current consumption per color	40 mA
Output function	NO contact, Potential-free
Input type	PNP
Response time typical	< 10 ms
Mechanical data	
Cascadable	No
Design	Dome, K30L
Dimensions	Ø 30 x 62.8 mm
Housing material	Plastic, PC Thermoplastic material, Black
Window material	Polycarbonate, diffuse
Electrical connection	Connector, M12 × 1, PVC
Number of cores	4

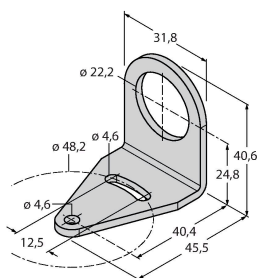
Technical data

Ambient temperature	-40...+50 °C
Protection class	IP67
Tests/approvals	
MTTF	626 years acc. to SN 29500 (Ed. 99) 40 °C
Approvals	CE

Accessories

SMB22A 3079414

Mounting bracket, stainless steel, for K30L series



Accessories

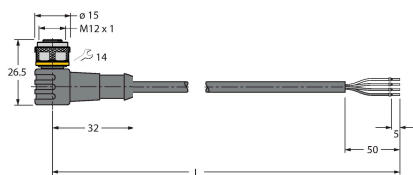
Dimension drawing	Type	ID	
-------------------	------	----	--



RKC4.4T-2/TEL

6625013

Connection cable, M12 female connector, straight, 4-pin, cable length: 2 m, jacket material: PVC, black; cULus approval



WKC4.4T-2/TEL

6625025

Connection cable, M12 female connector, angled, 4-pin, cable length: 2 m, jacket material: PVC, black; cULus approval