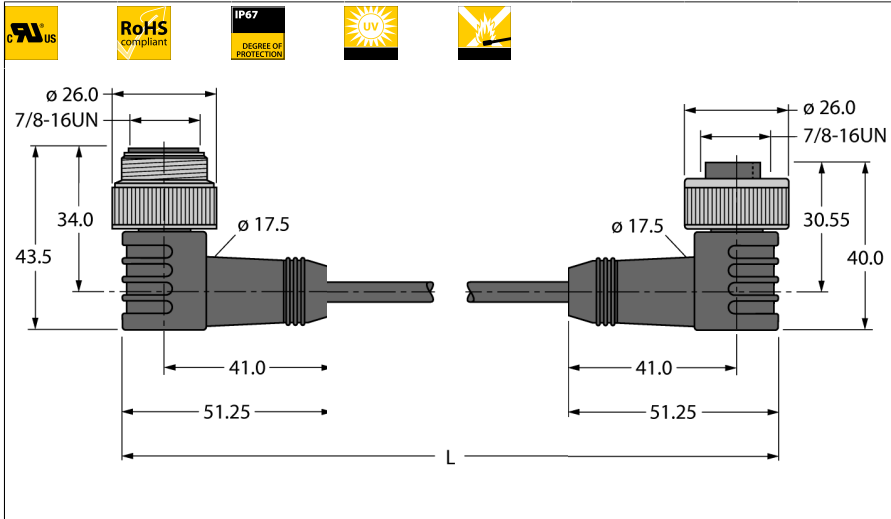


Power Cable

PVC Cable Jacket

WSM-WKM61-5M



- Power cable: 4 × 0.83 mm², 4 × 18 AWG
- Jacket material: PVC
- Jacket color: yellow
- Jacket diameter: 8.4 mm
- UV resistant
- Flame retardant acc. to CSA FT4
- UL, CSA approval
- RoHS compliant
- Protection class: NEMA 1, 3, 4, 6P and IEC IP67
- 7/8" female, angled
- 7/8" male, angled
- Cable length: 5.0 m

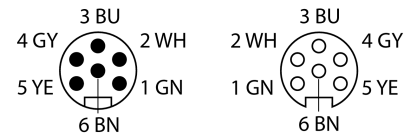
Type	WSM-WKM61-5M
ID	6915309

Connector A	Male, 7/8"-16 UN, Angled
Number of Pins	6
Contacts	Metal, CuZn, Gold-plated
Contact carriers	Plastic, TPU, Yellow
Connector body	Plastic, TPU, Yellow
Coupling nut/screw	Brass, CuZn, Nickel-plated
Protection class	IP67, Only in screwed condition
Mechanical lifespan	> 100 Mating cycles
Pollution degree	3

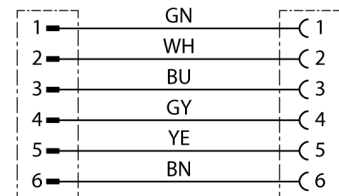
Connector B	Female, 7/8"-16 UN, Angled
Number of pins	6 pins
Contacts	Metal, CuZn, Gold-plated
Contact carriers	Plastic, TPU, Yellow
Connector body	Plastic, TPU, Yellow
Coupling nut/retaining screw	Brass, CuZn, Nickel-plated
Protection class	IP67, Only when screwed together
Mechanical life	> 100 Mating cycles
Pollution degree	3

General data	
Cable diameter	8.4 ±0.30
Cable length	5 m
Cable quality	PVC
Cable color	Yellow
Core insulation	PVC
Core colors	GN, WH, BU, GY, YE, BN
Core cross-section	6 x 0.83 mm ²
Arrangement of strands	19 x 0.25mm

Electrical properties at +20 °C	
Current	8 A
Voltage	600 V



Circuit Diagram



Mechanical and chemical properties	
Bending radius (stationary installation)	$\geq 5 \times \varnothing$
Bending radius (flexible use)	$\geq 10 \times \varnothing$
Ambient temperature range (stationary)	-40...+105°C