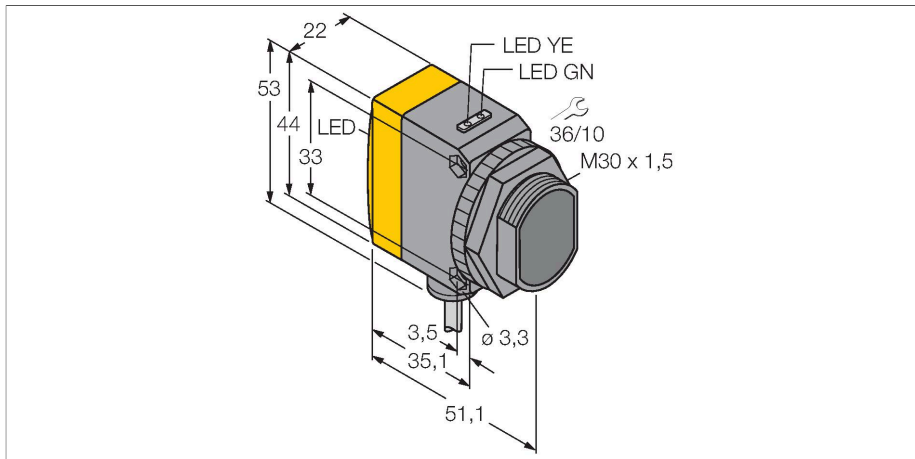


QS30AF600

Photoelectric Sensor – Diffuse Mode Sensor with Adjustable Background Suppression



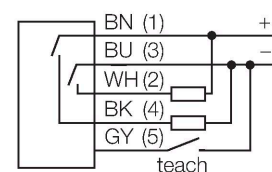
Technical data

Type	QS30AF600
ID no.	3011977
Optical data	
Function	Proximity switch
Operating mode	Background suppression, adjustable
Light type	Red
Wavelength	660 nm
Range	50...600 mm
Electrical data	
Operating voltage	10...30 VDC
Residual ripple	< 10 % U _{ss}
DC rated operational current	≤ 150 mA
No-load current	≤ 45 mA
Short-circuit protection	yes
Reverse polarity protection	yes
Output function	NO contact, PNP/NPN
Switching frequency	≤ 500 Hz
Readiness delay	≤ 200 ms
Response time typical	< 5 ms
Setting option	Mechanical Screw
Mechanical data	
Design	Rectangular with thread, QS30
Dimensions	Ø 30 x 35 x 22 x 53 mm
Housing material	Plastic, Thermoplastic material, Yellow
Lens	plastic, Acrylic
Electrical connection	Cable, 2 m, PVC

Features

- Cable, PVC, 2 m
- Protection class IP67
- LED all-round visible
- Sensitivity adjusted via potentiometer
- Operating voltage: 10...30 VDC
- Switching output, bipolar
- Light or dark operation

Wiring diagram



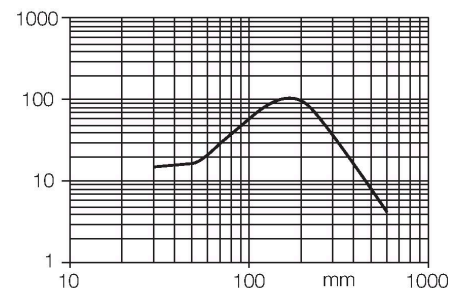
Functional principle

Diffuse mode sensors with background suppression operate with a single emitter and several receiver elements. The target's position and the optical structure of the sensor determine which receiver element gets the most light. The sensor electronics then determines whether the reflecting target is in or outside the measuring range. The sensors are available with adjustable or fixed cut-off point.

Excess gain curve
Excess gain in relation to distance

Technical data

Number of cores	5
Core cross-section	0.5 mm ²
Ambient temperature	-20...+60 °C
Protection class	IP67
Special features	keep/defer
Power-on indication	LED, Green
Switching state	LED, Yellow
Error indication	LED, green, Flashing
Excess gain indication	LED, red, flashing
Tests/approvals	
Approvals	CE



Accessories

