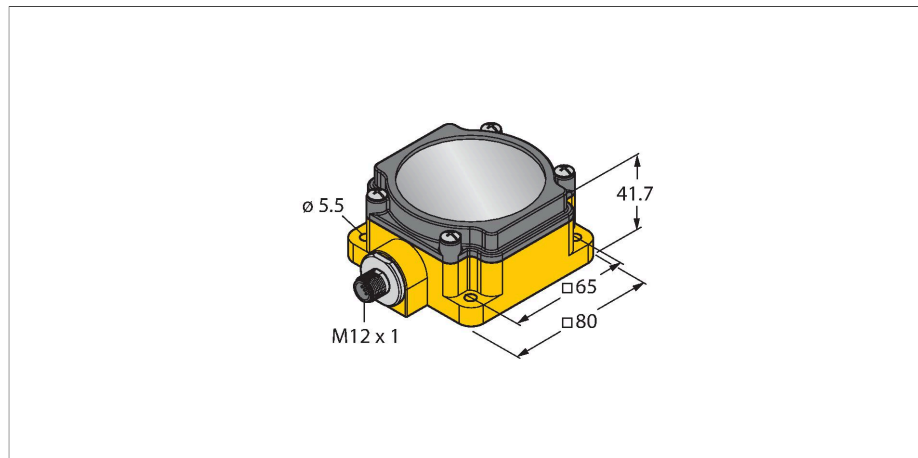


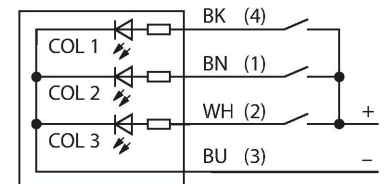
# K80FLGRXPQ LED Indicator



## Features

- M12 x 1 male, 4-pin
- Protection class IP67
- Multicolor: Green (COL 1) / Red (COL 2)
- Operating voltage 12...30 VDC
- Configuration via DIP switch
- Steady or alternate flashing, adjustable
- Two flashing frequencies, adjustable

## Wiring diagram



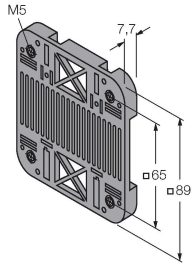
## Technical data

Type	K80FLGRXPQ
ID	3025276
<b>Signal and display data</b>	
Purpose	LED indicator light
Function	Spotlight
Light type	Green Red
Dimmable	No
Features of color 1	Green, Can be set via DIP switches
Features of color 2	Red, Can be set via DIP switches
<b>Electrical data</b>	
Operating voltage	12...30 VDC
Max. current consumption per color	140 mA
Input type	PNP
Response time typical	< 10 ms
<b>Mechanical data</b>	
Cascadable	No
Design	Rectangular, K80FL
Dimensions	107.6 x 80.9 x 41.7 mm
Housing material	Plastic, PC, Black
Window material	Acrylic, diffuse
Electrical connection	Connector, M12 × 1, PVC
Number of cores	4
Ambient temperature	-40...+50 °C
Protection class	IP67
<b>Tests/approvals</b>	
Approvals	CE

## Accessories

SMBDX80DIN 3077161

Mounting panel for DIN rail, suited for CP80, DX80, K80, Q80, operating temperature: -20...90 °C



## Accessories

Dimension drawing	Type	ID	
	RKC4.4T-2/TEL	6625013	Connection cable, M12 female connector, straight, 4-pin, cable length: 2 m, jacket material: PVC, black; cULus approval
	WKC4.4T-2/TEL	6625025	Connection cable, M12 female connector, angled, 4-pin, cable length: 2 m, jacket material: PVC, black; cULus approval