

SLPMR25-1670P12

Safety Technology – Receiver

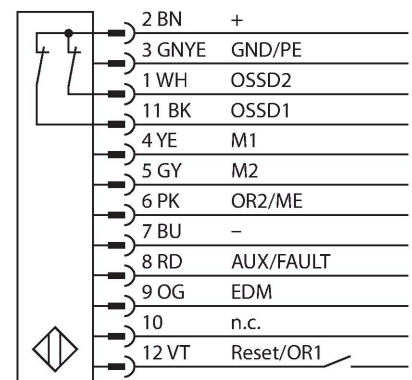
Integrated Muting Function



Features

- Cable with male end M12 x 1, 8-pin, 300 mm
- Protection class IP65
- Flat housing without blind zone
- Adjustments via DIP switch
- Resolution can be reduced
- Blanking function
- Operating voltage: 24 VDC ± 15 %
- Resolution 25 mm
- Scan field 1670 mm (L1)
- Mounting bracket included in delivery

Wiring diagram



Functional principle

The high-resolution safety light screen is emitter and receiver in one without blind zone. As the system is optically synchronized, emitter/receiver wiring is superfluous. The receiver's safety switching outputs are directly connected to a load relay (e.g. IM-T-9A) and trigger an immediate stop of dangerous machine cycles. Personnel safety category PLe acc. to ISO 13849-1 is fulfilled through 2-channel monitoring of the switching device and the principle of diverse redundancy by which two processors control each other mutually.

Technical data

| | |
|--------------------------------------|-----------------------------------|
| Type | SLPMR25-1670P12 |
| ID no. | 3084506 |
| Optical data | |
| Function | Light screen |
| Optical resolution | 25 mm |
| Range | 0...7000 mm |
| Scan field | 1670 mm |
| Number of beams | 167 |
| With muting function | yes |
| Scan Code | Adjustable |
| Electrical data | |
| Operating voltage | 20...28 VDC |
| Residual ripple | < 10 % U _{ss} |
| DC rated operational current | ≤ 150 mA |
| Current consumption non-actuated | ≤ 150 mA |
| No-load current | ≤ 275 mA |
| Max. current safe output | 0.5 mA |
| Short-circuit protection | yes |
| Reverse polarity protection | yes |
| Output function | 2 x NC (normally closed), 2 x PNP |
| Current output | 0...500 mA |
| Number of safe semiconductor outputs | 2 |
| Response time typical | < 22.5 ms |
| With restart interlock | yes |
| Blanking function | yes |

Technical data

| Mechanical data | |
|-----------------------|--------------------------------------|
| Design | Rectangular, EZ-Screen LP |
| Dimensions | 26 x 28 x 1667 mm |
| Housing material | Metal, AL, Yellow polyester |
| Lens | plastic, Acryl |
| Cascadable | no |
| Electrical connection | Cable with connector, M12 × 1, 0.3 m |
| Number of cores | 12 |
| Ambient temperature | 0...+55 °C |
| Protection class | IP65 |
| Power-on indication | LED, Green |
| Switching state | 2-color LED, Red |
| Tests/approvals | |
| Vibration resistance | 10–55 Hz at 0.35 mm |
| Shock test | 10 g at 16 ms (6000 cycles) |
| Approvals | CE, cTUVus |