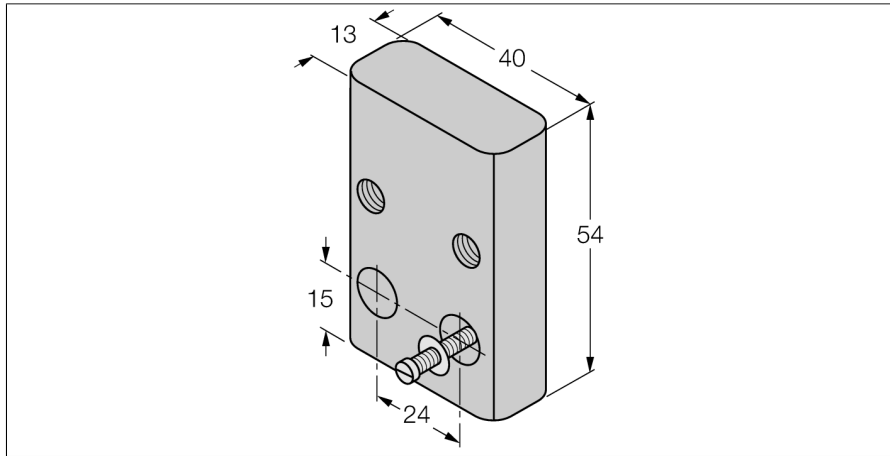


Accessories

Base Part for Mounting Clamps

BST-UV



- Mounting panel for BST-12 and BST-18 mounting clamps

Type	BST-UV
ID	6947218
Design	Accessories for threaded barrel, BST-UV
Dimensions	30 x 40 x 54 mm
Housing material	Plastic, PA6