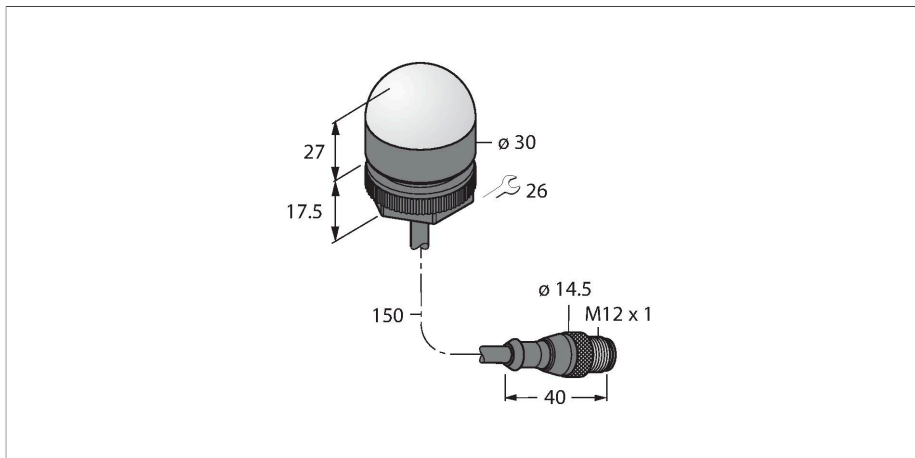


K30LRXGPQMA

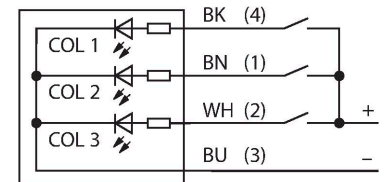
LED Indicator – Beacon



Features

- LED all-round visible
- Individually controllable
- Mechanical screw-in thread M22x1.5
- Protection class IP67
- Multicolor: Red (COL 1) / Green (COL 2)
- Cable with male end M12 x 1
- Operating voltage 10...30 VDC

Wiring diagram



Functional principle

The LED display is suitable for the direct connection of sensors. When the sensor is fed, the red light illuminates, when the output is activated the green light illuminates. The green light overwrites the red light.

Technical data

Type	K30LRXGPQMA
ID	3051631
Signal and display data	
Purpose	LED indicator light
Function	Spotlight
Light type	Red Green
Dimmable	No
Features of color 1	Red, Permanently on
Features of color 3	Green
Special features	Wash down
Electrical data	
Operating voltage	10...30 VDC
DC rated operational current	≤ 25 mA
Max. current consumption per color	25 mA
Input type	PNP
Response time typical	< 1 ms
Mechanical data	
Cascadable	No
Design	Dome, K30L
Dimensions	Ø 30 x 44.5 mm
Housing material	Plastic, PC, Black
Window material	Polycarbonate, diffuse
Electrical connection	Cable with connector, M12 × 1, 0.15 m, PUR
Number of cores	4
Ambient temperature	-40...+50 °C

Technical data

Relative humidity	0...90 %
Protection class	IP67 IP69
Tests/approvals	
MTTF	626 years acc. to SN 29500 (Ed. 99) 40 °C
Approvals	CE

Accessories

SMB22A

3079414

Mounting bracket, stainless steel, for K30L series

