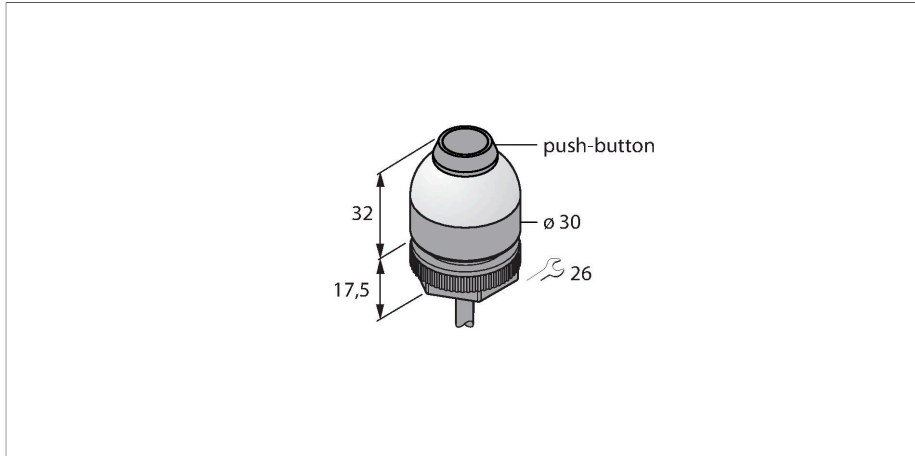


K30LMXXPPB2

LED Indicator – Beacon

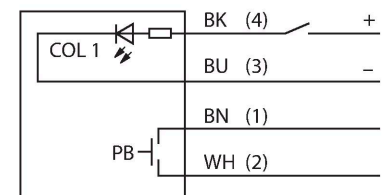
With Integrated Button



Features

- LED all-round visible
- Individually controllable
- Mechanical screw-in thread M22x1.5
- Protection class IP67
- Monochrome: Magenta (COL 1)
- Pushbutton closes potential-free contacts on Pin 1 (BN) and 2 (WH)
- Cable 2 m
- Operating voltage 10...30 VDC

Wiring diagram



Technical data

Type	K30LMXXPPB2
ID	3025414
Signal and display data	
Purpose	LED indicator light
Function	Spotlight
Light type	Magenta
LED service life (L70)	50000 h
Switch Function	Momentary
Dimmable	No
Features of color 1	Magenta, Permanently on
Electrical data	
Operating voltage	10...30 VDC
DC rated operational current	≤ 25 mA
Max. current consumption per color	40 mA
Output function	NO contact, Potential-free
Input type	PNP
Response time typical	< 10 ms
Mechanical data	
Cascadable	No
Design	Dome, K30L
Dimensions	Ø 30 x 49.4 mm
Housing material	Plastic, PC Thermoplastic material, Black
Window material	Polycarbonate, diffuse
Electrical connection	Cable, 2 m, PVC
Number of cores	4

Technical data

Ambient temperature	-40...+50 °C
Protection class	IP67
Tests/approvals	
MTTF	626 years acc. to SN 29500 (Ed. 99) 40 °C
Approvals	CE

Accessories

SMB22A

3079414

Mounting bracket, stainless steel, for K30L series

