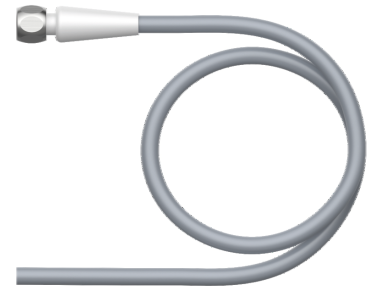
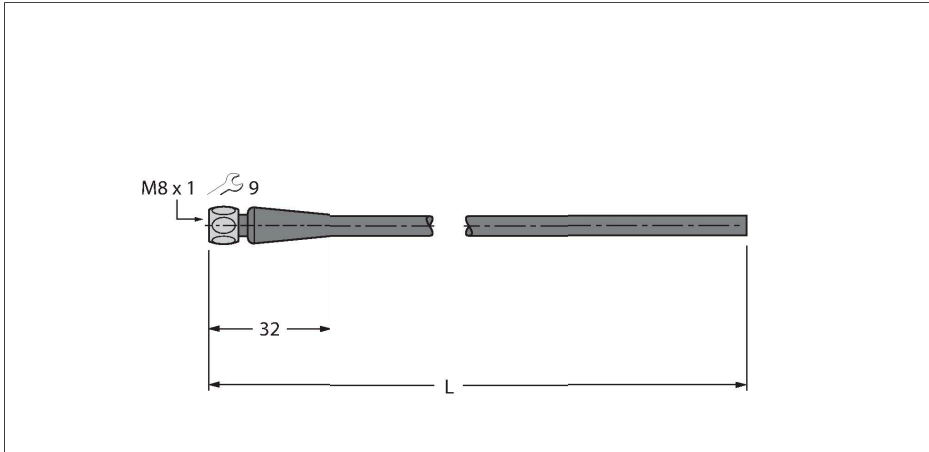


# PKG3M-10/TFE

## Food & Beverage Hygienic, PVC – Connection Cable



### Technical data

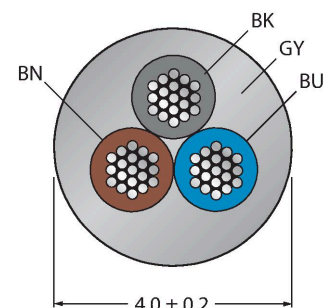
|  |  |
|--|--|
| Type                                   | PKG3M-10/TFE   |
| ID                                     | 6934442  |
| Connector A                            | Female, M8 × 1, Straight                                     |
| Number of Pins                         | 3  |
| Contacts                               | Brass, CuZn, Gold-plated                                     |
| Contact carriers                       | Plastic, PP, Gray  |
| Connector body                         | Plastic, PP, Gray  |
| Coupling nut/screw                     | Stainless Steel, V4A   |
| Seal                                   | Plastic, FPM/FKM   |
| Tightening torque (range)              | 0.5 ... 0.6 Nm<br>(observe max. torque of mating connector!) |
| Mechanical lifespan                    | > 100 Mating cycles  |
| Pollution degree                       | 3  |
| Protection class                       | IP65, IP67, IP68, IP69, Only in screwed condition            |
| <b>Cable</b>                           |  |
| Cable diameter                         | Ø 4 mm ±0.20   |
| Cable length                           | 10 m   |
| Cable jacket                           | PVC, Gray  |
| Core insulation                        | PVC  |
| Core cross-section                     | 3 x 0.25 mm <sup>2</sup>                                     |
| Arrangement of strands                 | 14 x 0.15 mm   |
| Core colors                            | BN, BU, BK   |
| <b>Electrical properties at +20 °C</b> |  |
| Rated voltage                          | 60 V   |
| Test voltage                           | 1500 V   |
| Current                                | 4 A  |

### Features



- Jacket material: PVC
- Jacket color: gray RAL 7040
- Resistant to acids and alkalis
- Resistant to oils and chemicals
- Flame-retardant acc. to DIN EN 60332 1-2, DIN EN 60332 2-2, VDE 0482 332-1-2, VDE 0482 332-2-2
- Approvals: Gost, Ecolab
- RoHS and REACH compliant
- Protection class IP67/IP69K
- Cable length: 10 m

### Cable Cross-Section



### Contact assignment

## Technical data

Insulation resistance  $\geq 10^8 \Omega$

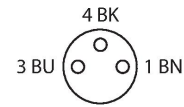
### Mechanical and chemical properties

Bending radius (stationary installation)  $\geq 3 \times \varnothing$

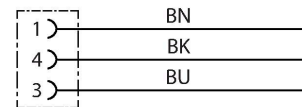
Bending radius (flexible use)  $\geq 10 \times \varnothing$

Ambient temperature range (stationary)  $-25 \dots +80 \text{ }^\circ\text{C}$

Ambient temperature range (In motion)  $0 \dots +80 \text{ }^\circ\text{C}$



## Circuit Diagram



## Accessories

TORQUE-WRENCH-SET-AS 6936170

Torque wrench set; handles with adjustable torque 0.4-1.0 Nm, torque wrench for M8 (SW9), fork wrench for M12 (SW 14)