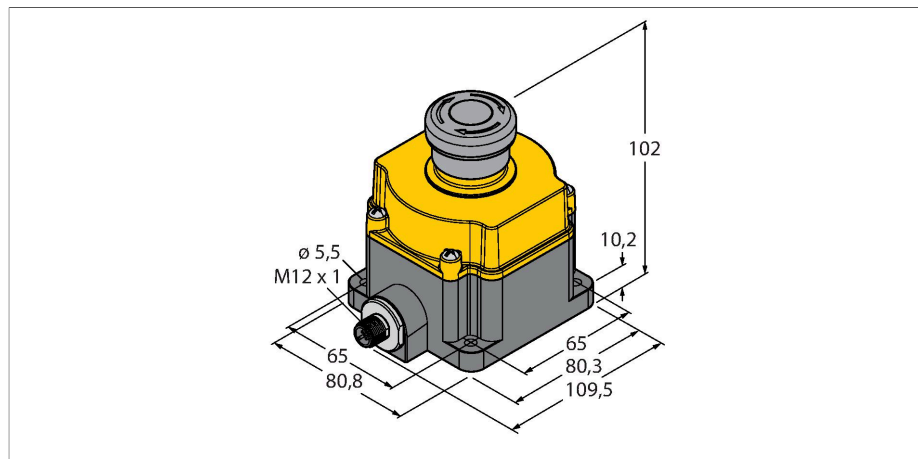


# SSA-EB1MP-02ED1Q5A

## Safety Technology – E-stop Button

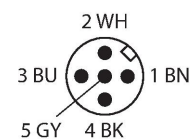
### Unlit



### Features

- 2 safety outputs (NC, potential-free)
- M12 × 1 male connector, 5-pin

### Wiring diagram



### Technical data

|                        |  |
|------------------------|--|
| Type                   | SSA-EB1MP-02ED1Q5A                                 |
| ID no.                 | 3025074  |
| Function               | E-stop button, unlit                               |
| Light type             | Red  |
| Output function        | 2 x NC (normally closed), Potential-free           |
| Design                 | Rectangular  |
| Dimensions             | 80.3 x 80.8 mm                                     |
| Housing material       | Plastic, PC  |
| Cascadable             | yes  |
| Electrical connection  | Connectors, M12 × 1                                |
| Ambient temperature    | -25...+55 °C                                       |
| Relative humidity      | 45...85 %  |
| Protection class       | IP65   |
| Special features       | Lockable   |
| <b>Tests/approvals</b> |  |
| Vibration resistance   | 10 to 500 Hz, 0.35 mm amplitude, 50 g acceleration |
| Shock resistance       | 15 g (11 ms)                                       |
| Approvals              | CE, cULus  |

### Functional principle

These electromechanical E-stop switches combine the functions of conventional switches with those of the EZ-LIGHTs. The color changes with the switching state. Local quitting of faults is possible at any time and a latch protects against unwanted quitting. The device is available as round or rectangular version. Both types are IP65 rated. Conventional types without light are also available as well as types for connection to the safety bus from Siemens or AB/ROCKWELL.

## Accessories

| Dimension drawing | Type          | ID no.  |  |
|-------------------|---------------|---------|--|
|                   | WKC4.5T-2/TEL | 6625028 | Connection cable, female M12, angled, 5-pin, cable length: 2 m, sheath material: PVC, black; cULus approval; other cable lengths and qualities available, see <a href="http://www.turck.com">www.turck.com</a>   |
|                   | RKC4.5T-2/TEL | 6625016 | Connection cable, female M12, straight, 5-pin, cable length: 2 m, sheath material: PVC, black; cULus approval; other cable lengths and qualities available, see <a href="http://www.turck.com">www.turck.com</a> |