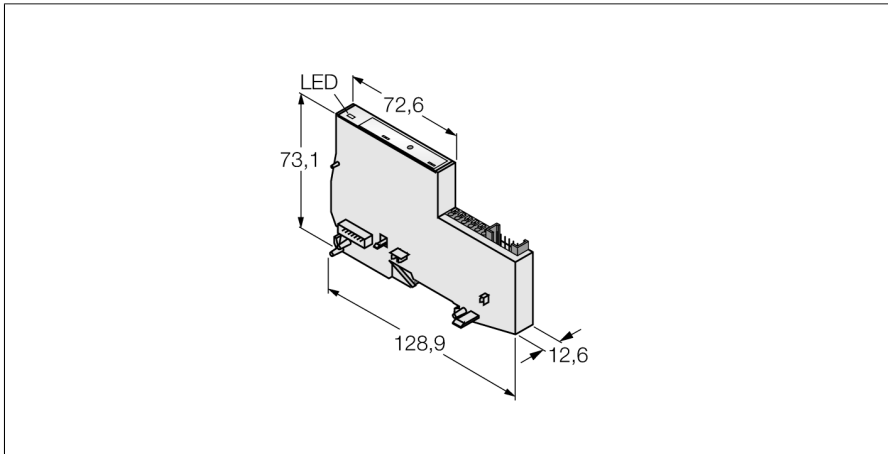


BL20 Economy Module

SWIRE communication module

BL20-E-1SWIRE



- Fieldbus-independent
- Electronics and connection technology in one housing
- Connectivity: Push-in terminals
- Protection class IP20
- Supports the connection of an SWIRE branch
- Maximum 16 nodes per SWIRE branch
- Maximal 3 SWIRE modules per BL20 station

Functional principle

The BL20-E-1SWIRE supports the connection of one SWIRE branch with maximally 16 motor starters. A 6-core cable is used for power supply and data transmission. The correspondent motor starters form up a line topology and are thus connected to the BL20-E-1SWIRE.

Electronics and connection technology are integrated in the housing. A base module is not needed. The module can be combined with other electronic modules within a station, provided the field wiring features tension spring connections.

The BL20-E-1SWIRE operates totally independent from the higher level fieldbus, as the BL20 gateways represent the fieldbus connection.

Type	BL20-E-1SWIRE
ID	6827251
Number of channels	1 SWIRE branch
Number of nodes per branch	16 Direct-on-line starter 8 Reversing starter
Admissible range	18...30 VDC
Nominal current from module bus	≤ 60 mA
Voltage supply for contactor	24 VDC
Voltage supply for contactor	3 A
Electrical isolation	Electronics and field level isolated via optocouplers
Output connectivity	Push-in
Number of diagnostics bytes	8
Number of parameter bytes	24
Dimensions (W x L x H)	12.6 x 128.6 x 74.6 mm
Approvals	CE, cULus
Ambient temperature	0...+55 °C
Storage temperature	-25...+85 °C
Relative humidity	15...95 %, no condensation allowed
Vibration test	Acc. to EN 61131
Shock test	Acc. to IEC 60068-2-27
Drop and topple	acc. to IEC 68-2-31 and free fall to IEC 68-2-32
Electromagnetic compatibility	Acc. to EN 50082-2
Protection class	IP20

Terminal assignment

