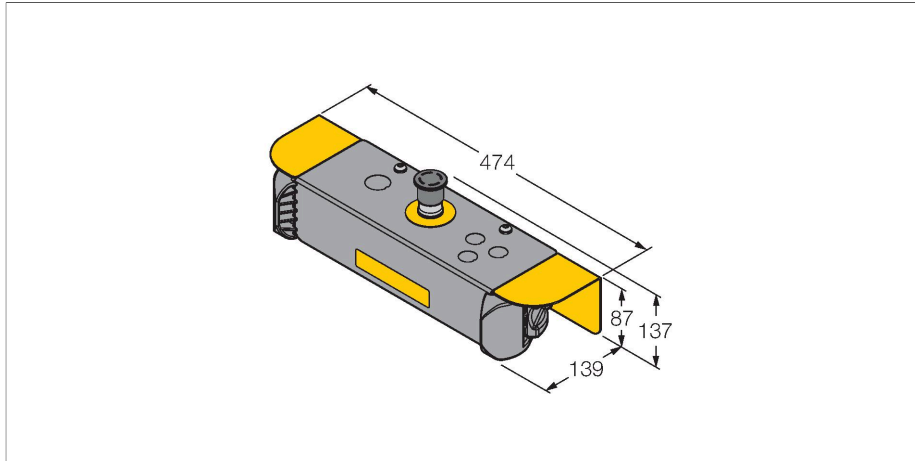


STBVR81-RB1

Photoelectric Sensor – Touch Switch

For Two-Hand Control System



Features

- Ergonomically shaped
- Upper housing part of polyetherimide
- Pre-assembled protective cover

Technical data

Type	STBVR81-RB1
ID no.	3080685
Optical data	
Function	Touch Button
Light type	IR
Electrical data	
Mechanical data	
Design	Rectangular, STB
Housing material	Plastic, PBT
Protection class	IP66
Tests/approvals	