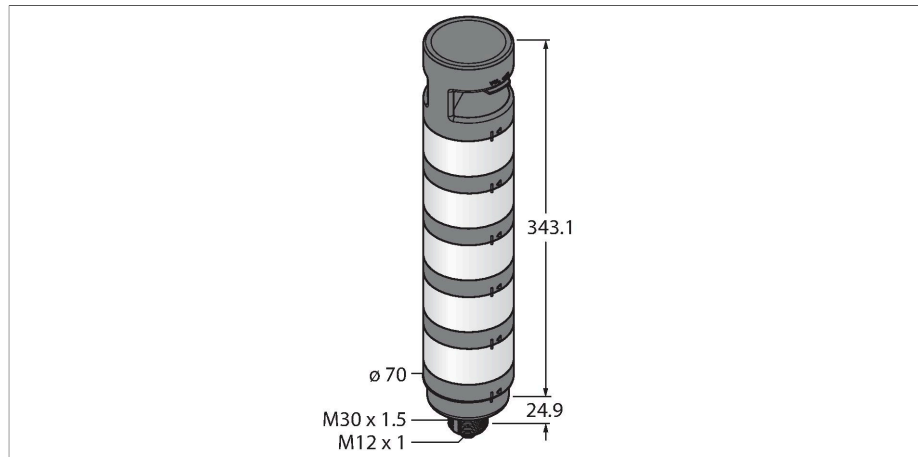


TL70WBGYRAQ

LED Indicator – Modular Signal Tower

Preassembled



Features

- Plastic housing, black
- EMI and RFI immune
- Protection class IP65
- M12 × 1 male connector
- Colors: White (COL 1), Blue (COL 2), Green (COL 3), Yellow (COL 4), Red (COL 5)
- Switchable between permanent and flashing function
- Operating voltage: 12...30 VDC
- Inputs: PNP/NPN
- Configuration via DIP switch
- Beeper: sealed, omnidirectional, adjustable characteristic, intensity can be adjusted via selector switch, max. 92 dB

Technical data

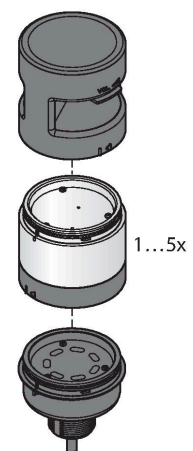
Type	TL70WBGYRAQ
ID	3092358
Signal and display data	
Purpose	LED indicator light
Function	Tower light
Light type	White Blue Green Yellow Red
Aperture angle degree	360 °
LED service life (L70)	50000 h
Dimmable	No
Features of color 1	White, Can be set via DIP switches, 125 lm
Features of color 2	Blue, Can be set via DIP switches, 32 lm
Features of color 3	Green, Can be set via DIP switches, 92 lm
Features of color 4	Yellow, Can be set via DIP switches, 22 lm
Features of color 5	Red, Can be set via DIP switches, 40 lm
Acoustic signal	Key adjustable, 92 dB
Electrical data	
Operating voltage	12...30 VDC
Max. current consumption per color	420 mA
Max. current consumption of beeper	30 mA
Input type	Bipolar (PNP/NPN)22
Response time typical	< 180 ms

Functional principle

The rugged multifunction tower lights are available in many variations and are easily mounted. Each tower can be assembled of up to five color segments and, optionally, a beeper. All segments are configurable via DIP switches.

5 colors are available, blue (B), green (G), red (R), yellow (Y) and white (W), which can be used in any combination.

The arrangement of the segments can be modified subsequently and also more segments can be added. Via the basic module the respective port is selected. Pre-assembled versions are also available.



Technical data

Mechanical data	
Cascadable	No
Design	Smooth barrel, TL70
Dimensions	Ø 70 x 368 mm
Housing material	Plastic, PC, Black
Window material	Polycarbonate, diffuse
Electrical connection	Connector, M12 × 1, PVC
Number of cores	8
Ambient temperature	-40...+50 °C
Relative humidity	0...95 %
Protection class	IP65
Tests/approvals	
Approvals	CE, UL listed

Accessories

Dimension drawing	Type	ID	
	RKC8T-2/TEL	6625130	Connection cable, M12 female connector, straight, 8-pin, cable length: 2 m, jacket material: PVC, black; cULus approval
	WKC8T-2/TEL	6625133	Connection cable, M12 female connector, angled, 8-pin, cable length: 2 m, jacket material: PVC, black; cULus approval