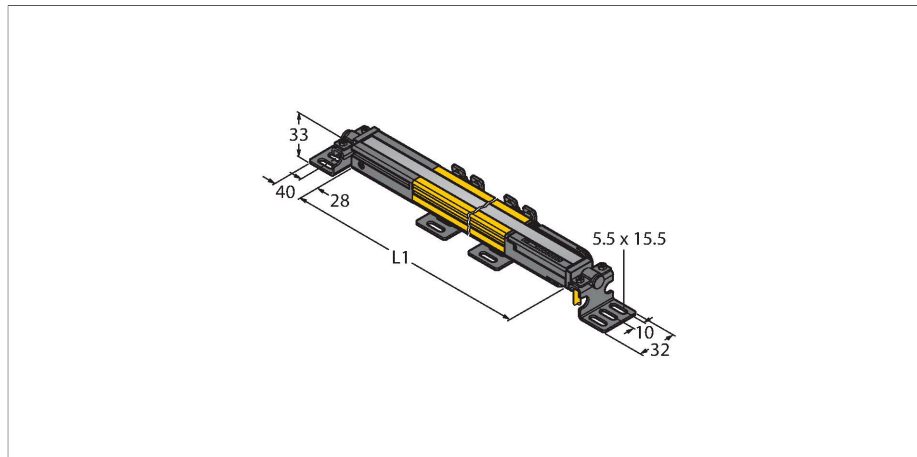


# SLPMR25-1250P12

## Safety Technology – Receiver

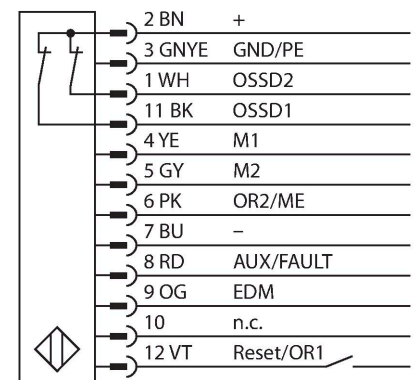
### Integrated Muting Function



### Features

- Cable with male end M12 x 1, 8-pin, 300 mm
- Protection class IP65
- Flat housing without blind zone
- Adjustments via DIP switch
- Resolution can be reduced
- Blanking function
- Operating voltage: 24 VDC ± 15 %
- Resolution 25 mm
- Scan field 1250 mm (L1)
- Mounting bracket included in delivery

### Wiring diagram



### Functional principle

The high-resolution safety light screen is emitter and receiver in one without blind zone. As the system is optically synchronized, emitter/receiver wiring is superfluous. The receiver's safety switching outputs are directly connected to a load relay (e.g. IM-T-9A) and trigger an immediate stop of dangerous machine cycles. Personnel safety category PLe acc. to ISO 13849-1 is fulfilled through 2-channel monitoring of the switching device and the principle of diverse redundancy by which two processors control each other mutually.

### Technical data

|                                      |                                   |
|--------------------------------------|-----------------------------------|
| Type                                 | SLPMR25-1250P12                   |
| ID no.                               | 3084503                           |
| <b>Optical data</b>                  |                                   |
| Function                             | Light screen                      |
| Optical resolution                   | 25 mm                             |
| Range                                | 0...7000 mm                       |
| Scan field                           | 1250 mm                           |
| Number of beams                      | 125                               |
| With muting function                 | yes                               |
| Scan Code                            | Adjustable                        |
| <b>Electrical data</b>               |                                   |
| Operating voltage                    | 20...28 VDC                       |
| Residual ripple                      | < 10 % U <sub>ss</sub>            |
| DC rated operational current         | ≤ 150 mA                          |
| Current consumption non-actuated     | ≤ 150 mA                          |
| No-load current                      | ≤ 275 mA                          |
| Max. current safe output             | 0.5 mA                            |
| Short-circuit protection             | yes                               |
| Reverse polarity protection          | yes                               |
| Output function                      | 2 x NC (normally closed), 2 x PNP |
| Current output                       | 0...500 mA                        |
| Number of safe semiconductor outputs | 2                                 |
| Response time typical                | < 18.5 ms                         |
| With restart interlock               | yes                               |
| Blanking function                    | yes                               |

## Technical data

| Mechanical data       |                                      |
|-----------------------|--------------------------------------|
| Design                | Rectangular, EZ-Screen LP            |
| Dimensions            | 26 x 28 x 1248 mm                    |
| Housing material      | Metal, AL, Yellow polyester          |
| Lens                  | plastic, Acryl                       |
| Cascadable            | no                                   |
| Electrical connection | Cable with connector, M12 × 1, 0.3 m |
| Number of cores       | 12                                   |
| Ambient temperature   | 0...+55 °C                           |
| Protection class      | IP65                                 |
| Power-on indication   | LED, Green                           |
| Switching state       | 2-color LED, Red                     |
| Tests/approvals       |                                      |
| Vibration resistance  | 10–55 Hz at 0.35 mm                  |
| Shock test            | 10 g at 16 ms (6000 cycles)          |
| Approvals             | CE, cTUVus                           |