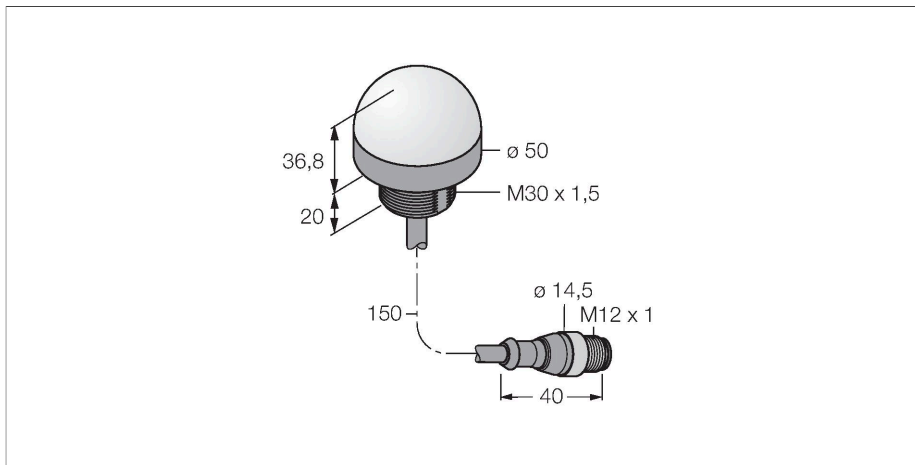


K50LGXXPQP

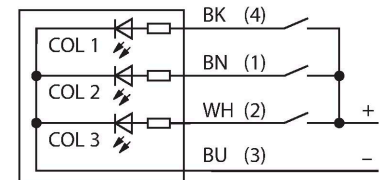
LED Indicator – Beacon



Features

- LED all-round visible
- Individually controllable
- Screw-in thread M30x1.5
- Protection class IP67
- Monochrome: Green (COL 1)
- Cable with male end M12 x 1
- Operating voltage 18...30 VDC

Wiring diagram



Technical data

Type	K50LGXXPQP
ID	3078640
Signal and display data	
Purpose	LED indicator light
Function	Spotlight
Light type	Green
Dimmable	No
Features of color 1	Green, Permanently on
Special features	Wash down
Electrical data	
Operating voltage	18...30 VDC
DC rated operational current	≤ 40 mA
Max. current consumption per color	40 mA
Input type	PNP
Response time typical	< 1 ms
Mechanical data	
Cascadable	No
Design	Dome, K50L
Dimensions	Ø 50 x 58 mm
Housing material	Plastic, PC, Black
Window material	Polycarbonate, diffuse
Electrical connection	Cable with connector, M12 × 1, 0.15 m, PVC
Number of cores	4
Ambient temperature	-40...+50 °C
Relative humidity	0...90 %
Protection class	IP67

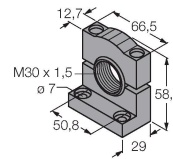
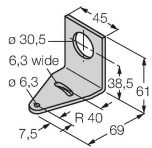
Technical data

IP69

Tests/approvals	
MTTF	249 years acc. to SN 29500 (Ed. 99) 40 °C
Approvals	
	CE, UL listed

Accessories

SMB30A	3032723	SMB30SC	3052521
	Mounting bracket, rectangular, stainless steel, for sensors with 30mm thread		Mounting bracket, PBT black, for sensors with 30 mm thread, rotatable



Accessories

Dimension drawing	Type	ID	
	RKC4.4T-2/TEL	6625013	Connection cable, M12 female connector, straight, 4-pin, cable length: 2 m, jacket material: PVC, black; cULus approval
	WKC4.4T-2/TEL	6625025	Connection cable, M12 female connector, angled, 4-pin, cable length: 2 m, jacket material: PVC, black; cULus approval