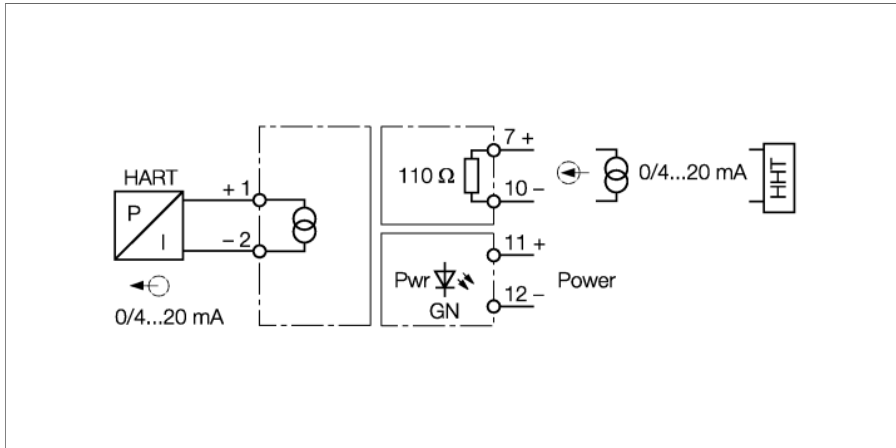


Analog Signal Isolator

1-channel

IM35-11-HI/24VDC



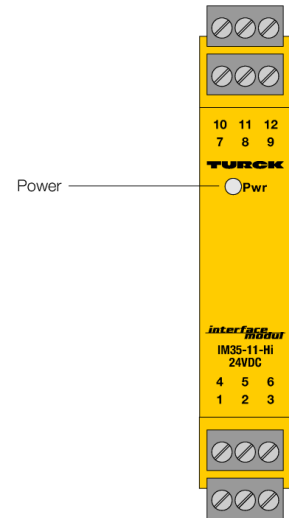
The 1-channel IM35-11-HI/24VDC signal isolator is designed to transmit the normalized current signal galvanically isolated 1:1. In addition to the analog signal also digital HART® communication signals can be transmitted bidirectionally.

Typical applications are for example, the control of I/P converters (e.g. at control valves) or indicators.

The actuators are connected to the output terminals 1/2. Handheld terminals [HHT] can be connected to the output and input terminals 7/10.

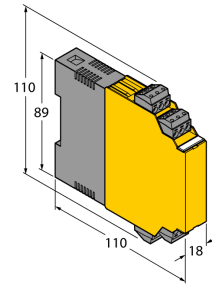
Test sockets (Ø 2 mm) on the removable terminal blocks are used for signal control.

- Output isolator
- Removable terminal blocks, screwable, with 2 mm test box
- Complete galvanic isolation
- Input reverse-polarity protected
- TR CU

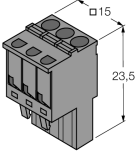


Dimensions

| | |
|--|--|
| Type | IM35-11-HI/24VDC |
| ID | 7506519 |
| Nominal voltage | |
| Nominal voltage | 24 VDC |
| Operating voltage | 19...29 VDC |
| Power consumption | ≤ 2.2 W |
| Input current | |
| Input current | 0/4...20 mA |
| Input resistance (current) | ≤ 110 Ω |
| Output circuits | |
| Output current | 0/4...20 mA |
| Load resistance current output | ≤ 0.6 kΩ |
| Response characteristic | |
| Rise time (10...90 %) | ≤ 90 ms |
| Fall time (90...10 %) | ≤ 90 ms |
| Measuring accuracy (including linearity, hysteresis and repeatability) | ≤ 0.1 % of full scale |
| Reference temperature | 23 °C |
| Temperature drift | ≤ 0.005 % of full scale/K |
| Galvanic isolation | |
| Test voltage | 2.5 kV RMS |
| Displays/Operating elements | |
| Operational readiness | Green |
| Mechanical data | |
| Protection class | IP20 |
| Flammability class acc. to UL 94 | V-0 |
| Ambient temperature | -25...+70 °C |
| Storage temperature | -40...+80 °C |
| Dimensions | 110 x 18 x 110 mm |
| Weight | 131 g |
| Mounting instructions | DIN rail (NS35) or panel |
| Housing material | Polycarbonate/ABS |
| Electrical connection | 4 × 3-pin removable terminal blocks with test socket, reverse polarity protected, screw terminal |
| Terminal cross-section | 1 × 2.5 mm ² /2 × 1.5 mm ² |
| Tightening torque | 0.5 Nm |



Accessories

| Type code | Ident no. | | Dimension drawing |
|-----------------|-----------|---|---|
| IM-CC-3X2BK/2BK | 7541218 | Cage clamp terminals for IM modules (Ex-devices with 18 mm overall width); includes: 4 pcs. of 3-pin black terminals |  |