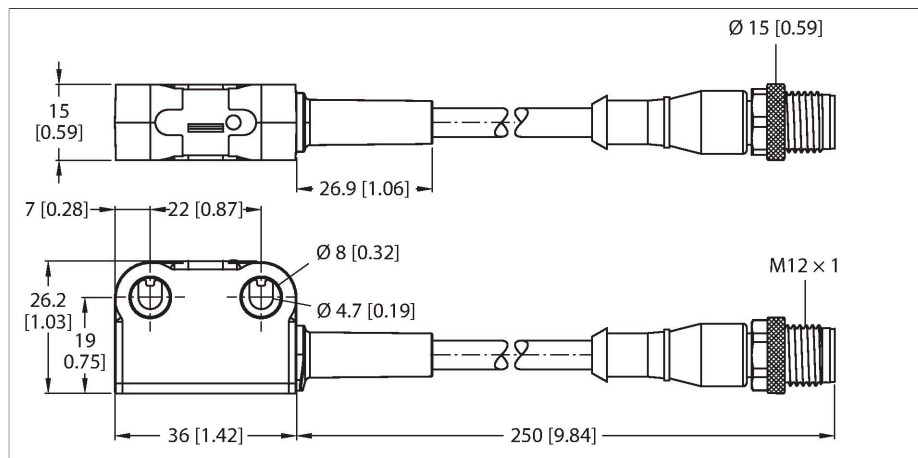


SI-RFPT-HP5

Safety Technology – RFID Safety Switch



Technical data

Type	SI-RFPT-HP5
ID no.	3806406
Function	RFID safety switch
Repeatability	1.3 mm
Hysteresis	≤ 2 mm
Range	10...25 mm
With muting function	no
Operating voltage	19.2...30 VDC
No-load current	≤ 50 mA
Max. current safe output	100 mA
Short-circuit protection	yes
Reverse polarity protection	yes
Output function	2 × OSSD, NO contacts, PNP
Number of safe semiconductor outputs	2
Rated insulation voltage	75 V
Impulse withstand voltage	500 kV
Protection class	III gemäß EN IEC 61558
Switching frequency	≤ 1 Hz
Readiness delay	≤ 2 s
Response time typical	< 100 ms
With restart interlock	no
Design	Rectangular, SI-RF
Dimensions	26 x 15 x 36 mm
Housing material	Plastic, Thermoplastic material
Cascadable	no
Electrical connection	Cable with connector, M12 × 1, 0.25 m, PUR

Features

- Contactless safety sensor for individual applications
- Coding type: high
- Reset: automatic
- Diagnostics: PNP output (not safety-relevant)
- Operating status indicator (green/red)
- Switching output indicator (yellow)
- IP69K
- SIL 3 (IEC 61508)
- PL e (ISO 13849-1)
- Required for operating SI-RF-A actuators

Functional principle

The safety sensors from the SI-RF product series use RFID technology to monitor doors, flaps and other moving mechanical guards that separate people and devices from hazardous situations. This contactless system meets the highest safety standards, is tamper-proof and offers diagnostic functions which make it easier to solve problems and minimize plant downtimes.

The high-code RFID safety sensors are very resistant to tampering. Each RFID sensor in this pair will work with one specific SI-RF actuator at a time. An additional 11 SI-RF actuators (for a total of 12) can be taught in succession and previously used SI-RF actuators will no longer work.

Technical data

Number of cores	5
Ambient temperature	-25...+70 °C
Storage temperature	-25...+70 °C
Relative humidity	0...93 %
Protection class	IP69K
Power-on indication	LED, Green/Red
Switching state	LED, Yellow
Error indication	LED, red
Tests/approvals	
Vibration resistance	acc. to EN IEC 60947-5-2
Shock test	acc. to EN IEC 60947-5-2
PL acc. to DIN EN 13849-1:2008	e
Category acc. to DIN EN 13849-1:2008	4
SIL according IEC 61508	3
Useful Lifetime	20 years
Coding level/tamper protection	High

Accessories

Dimension drawing	Type	ID no.	
	SI-RF-A	3806408	Actuator for RFID safety switch

