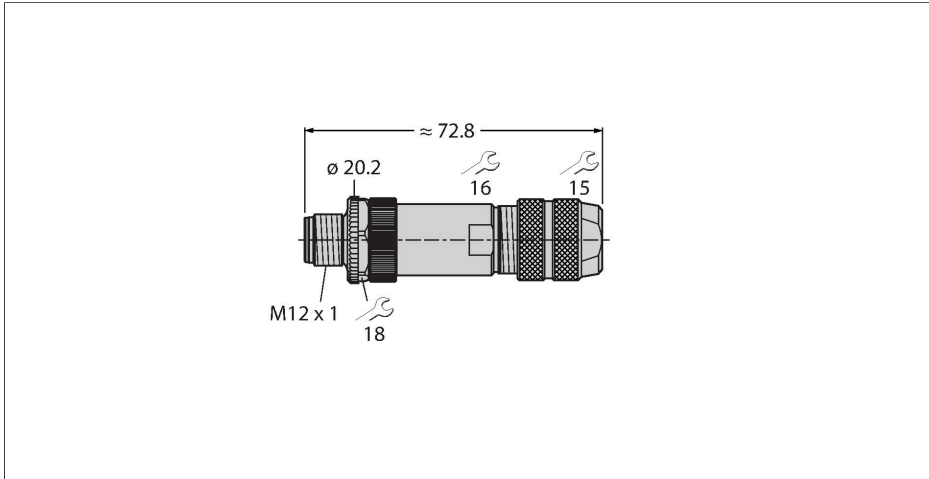


FW-M12ST5W-G-ZF-ME-SH-9

Field-Wireable Connector

Male Connector M12 × 1, Straight



Technical data

Type	FW-M12ST5W-G-ZF-ME-SH-9
ID	6604211
Connector A	Male, M12 × 1, Straight, B-coded
Number of Pins	5
Contacts	Metal, CuZn, Gold-plated
Contact carriers	Plastic, PA, Black
Connector body	Die-cast Zinc, GD-Zn, nickel-plated, Black
Coupling nut/screw	Die-cast Zinc, GD-Zn, Nickel-plated
Seal	Plastic
Screw-in thread	M18 × 1
External diameter of the cable	7...9 mm
Core cross-section/Clamping ability	0.14...0.75 mm ²
Connection mode	Tension spring connection
Mechanical lifespan	> 100 Mating cycles
Protection class	IP67, (screwed together)
Network protocol	PROFIBUS-DP
Shielding	yes
Electrical properties at +20 °C	
Rated voltage	125 V
Current	4 A
Insulation resistance	≥ 10 ⁸ Ω
forward resistance	≤ 5 mΩ
Mechanical and chemical properties	
Ambient temperature range (stationary)	-40...+85 °C

Features



- For use in PROFIBUS-DP applications
- Up to 12 Mbps
- Shielding via iris spring connection
- B-coding
- Metal housing
- Tension spring connection
- 5-pin
- M18 × 1 metric screw-in thread
- Cable diameter 7.0...9.0 mm

Contact assignment

