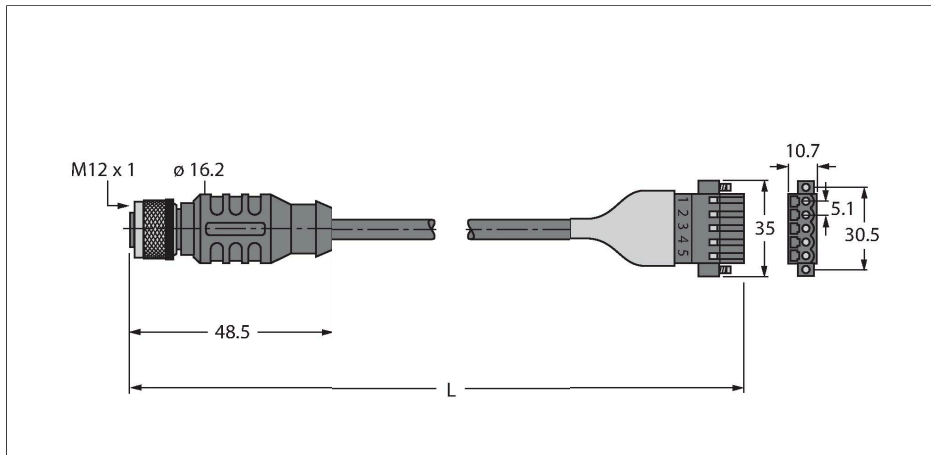


RKC CBC5 572-1M

Bus Cable for CAN (DeviceNet, CANopen) – PVC Cable Jacket, Thin



Features

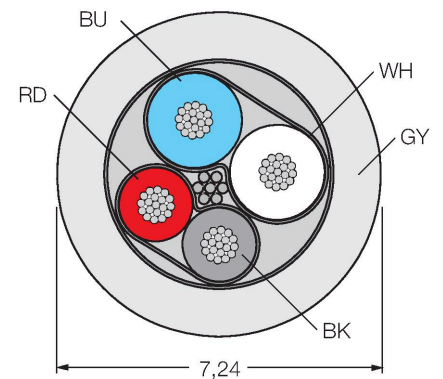


- Jacket material: PVC
- Power pair: AWG 2/22
- Data pair: AWG 2/22
- Jacket color: gray
- UL approval
- Open connector
- M12-female connector, straight, A-coded
- Cable length: 1.0 m

Technical data

Type	RKC CBC5 572-1M
ID	U7388
Connector A	Female, M12 × 1, Straight, A-coded
Number of Pins	5
Contacts	Metal, CuZn, Gold-plated
Contact carriers	Plastic, TPU, Blue
Connector body	Plastic, TPU, Blue
Coupling nut/screw	Brass, CuZn, Nickel-plated
Seal	Plastic, FPM/FKM
Tightening torque (range)	0.8 ... 1 Nm (observe max. torque of mating connector!)
Mechanical lifespan	> 100 Mating cycles
Pollution degree	3
Protection class	IP67, IP69K, Only in screwed condition
Connector B	Female, CBC5, Straight
Number of pins	5
Connector body	Black
Protection class	IP20
Cable	
Network protocol	DeviceNet CANopen, 572
Cable diameter	Ø 7.2 mm
Cable length	1 m
Cable jacket	PVC, Gray
Shielding	yes
Core insulation	PE (Data), PVC (Power)

Cable Cross-Section



Contact assignment



Technical data

Data cable cores	
Core cross-section	2 x 0.34 mm ²
Arrangement of strands	19 x 0.15 mm
Power cable cores	
Core cross-section	2x 0.34 mm ²
Litz wire arrangement	19 x0.15 mm
Core colors	Power: RD, BK, Data: WH, BU
Electrical properties at +20 °C	
Rated voltage	250 V
Current	4 A
DC resistance (loop)	59.3 Ω/km
Nom. impedance	126 Ω (1 MHz)
Nom. capacitance	39 pF/m
Mechanical and chemical properties	
Bending radius (stationary installation)	≥ 5 x Ø
Bending radius (flexible use)	≥ 15 x Ø
Ambient temperature range (stationary)	-40...+80 °C
Ambient temperature range (In motion)	-30...+75 °C
Other Features	
Qualified for drag chain use	no
Halogen-free	no
LABS free	yes
UV resistance	yes
Approvals	UL CSA
Note	
- We reserve the right to make technical modifications without prior notice.	