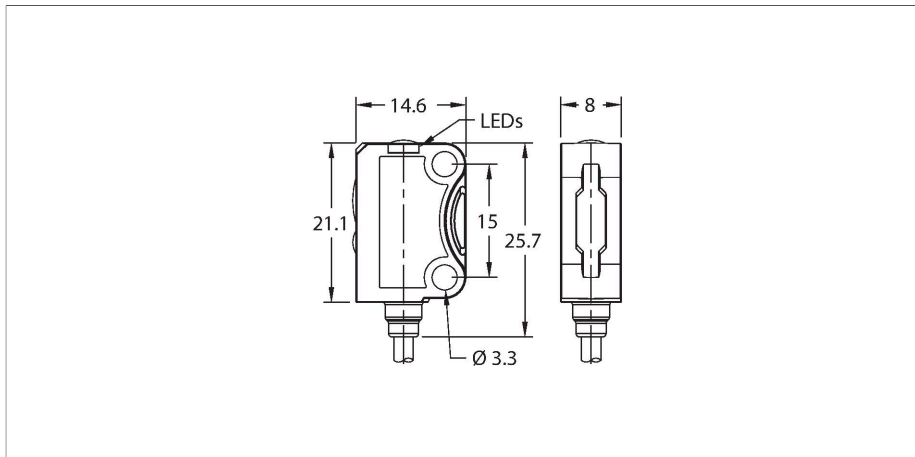


# VS8APFF30B

## Photoelectric Sensor – Diffuse Mode Sensor with Fixed-Field Background Suppression



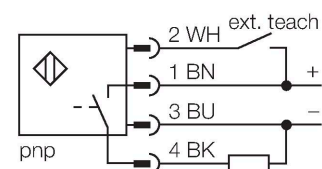
### Technical data

Type	VS8APFF30B
ID no.	3803488
<b>Optical data</b>	
Function	Proximity switch
Operating mode	Background suppression, non-adjustable
Light type	Blue
Wavelength	450 nm
Range	2...30 mm
<b>Electrical data</b>	
Operating voltage	10...30 VDC
Residual ripple	< 10 % U <sub>ss</sub>
DC rated operational current	≤ 20 mA
Short-circuit protection	yes / Cyclic
Reverse polarity protection	yes
Output function	NO contact, PNP
Switching frequency	1 kHz
Readiness delay	≤ 300 ms
Response time typical	< 0.5 ms
<b>Mechanical data</b>	
Design	Rectangular, VS8
Dimensions	14.6 x 8 x 25.7 mm
Housing material	Plastic, Black
Lens	plastic, PMMA
Electrical connection	Cable, 2 m, PVC
Number of cores	4
Ambient temperature	-20...+60 °C

### Features

- Connection via 2 m cable, PUR
- ECOLAB-certified
- LED emitter, blue
- Operating voltage: 10...30 VDC
- Teach input
- PNP switching output, NO contact, switchable

### Wiring diagram



### Functional principle

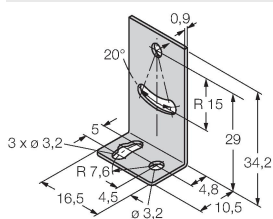
These miniature photoelectric sensors in a rugged housing are ideal for detecting small parts in harsh environments. The bright and clearly visible light spots help with detecting extremely small objects. Devices with a blue emitter LED are also available, along with laser variants. The 4-pin devices all have a teach input that, in addition to the pushbutton on the devices, can be used to configure the sensor. This allows the switching point to be adjusted or the output behavior to be inverted. ECOLAB certification for devices with a cable connection rounds off the portfolio and allows use in cleanrooms or in the food industry.

## Technical data

Protection class	IP67
Power-on indication	LED, Green
Switching state	LED, Yellow
Excess gain indication	LED
<b>Tests/approvals</b>	
Approvals	CE cULus

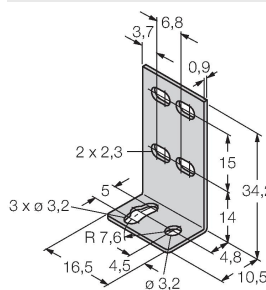
## Accessories

**SMBQ12A** **3074341**



Mounting bracket; material VA 1.4401, for photoelectric sensor, Q12 series

**SMBQ12T** **3073722**



Mounting bracket; material VA 1.4401, for photoelectric sensor, Q12 series

**SMBVS8RA** **3803492**

Mounting bracket, for VS8 series sensors, angled, stainless steel

**SMBVS8DT** **3803493**

Mounting clamp, plastic, black, for VS8 series sensors