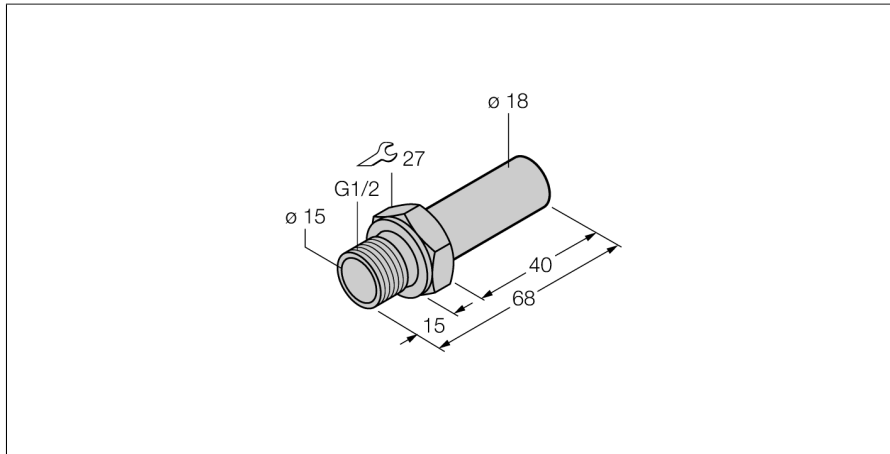


Accessories

Threaded Adapter For Flow Meters FTCI-G1/2A4-D18/L068



- Adapter for flow meters
- Mechanical adaptation on G1/2 threads
- Stainless steel A4 1.4571 / AISI 316 Ti

ID	6870150
Type	FTCI-G1/2A4-D18/L068
Housing material	Stainless steel, 1.4571 (AISI 316Ti)