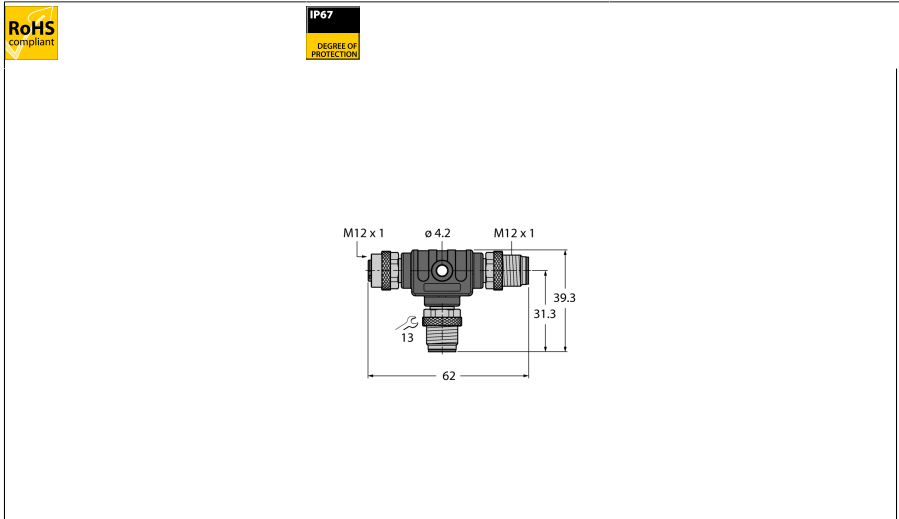


# 2-Way Splitter

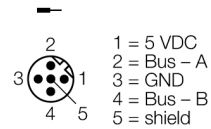
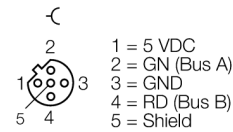
## PROFIBUS T-splitter, Fully Shielded, 12 Mbps

### RKSW54.5[5]-2RSSWS



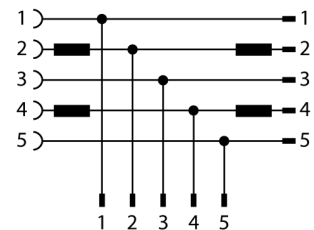
- T piece, reverse-keyed
- For use in PROFIBUS-DP applications
- Female - male - male, 5-pin
- RoHS-compliant
- Protection class IP67

#### Pin Assignment



Type	RKSW54.5[5]-2RSSWS
ID	6934899
Distributed I/O	T-splitter
Housing	Plastic, TPU, Black
Connector A	Male Connector, Male - Female, M12 × 1, B-coded
Number of Pins	5
Contact carriers	Plastic, TPU, Purple
Coupling nut/screw	Brass, CuZn, Nickel-plated
Mechanical lifespan	> 100 Mating cycles
Pollution degree	3
Protection class	IP67, Only in screwed condition
Connector B	Female, M12 × 1, B-coded
Number of pins	4 pins
Contact carriers	Plastic, TPU, Black
Coupling nut/retaining screw	Brass, CuZn, Nickel-plated
Mechanical life	> 100 Mating cycles
Pollution degree	3
Protection class	IP67
Network protocol	PROFIBUS-DP
Electrical properties at +20 °C	
Rated voltage	48V
Current	0.4AA
Insulation resistance	≥ 10 <sup>9</sup> Ω
forward resistance	≤ 5 mΩ
Ambient temperature range (stationary)	-30...+90°C

#### Circuit Diagram



**Accessories**

Type code	Ident no.		Dimension drawing
TORQUE-WRENCH-SET-BUS	6936171	Torque wrench set; grip with adjustable torque 0.4 to 1.0 Nm; torque wrench set, fork wrench for M8 (SW9), fork wrench for M12 (SW13), fork wrench for M12 (SW14)	