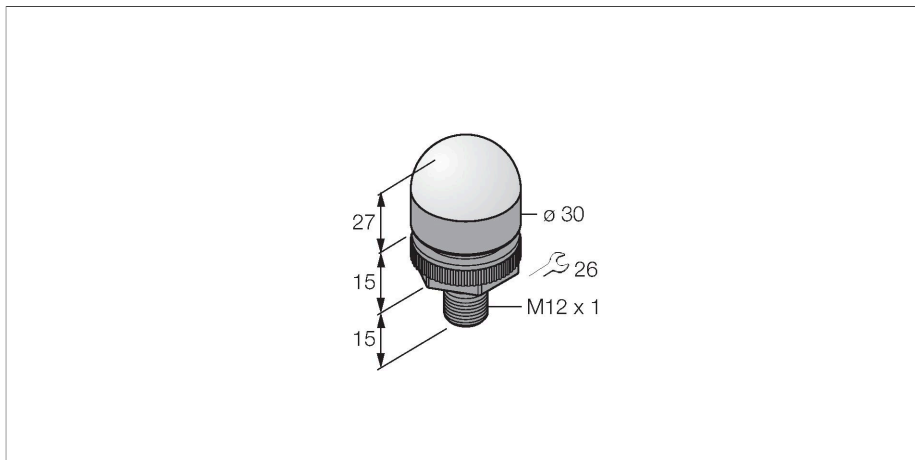


# K30LBXXPQ LED Indicator – Beacon



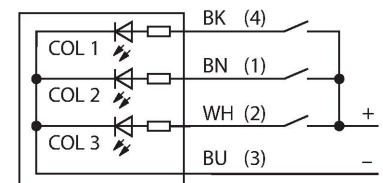
## Technical data

Type	K30LBXXPQ
ID	3019647
<b>Signal and display data</b>	
Purpose	LED indicator light
Function	Spotlight
Light type	Blue
Dimmable	No
Features of color 1	Blue, Permanently on
Special features	Wash down
<b>Electrical data</b>	
Operating voltage	10...30 VDC
DC rated operational current	≤ 25 mA
Max. current consumption per color	25 mA
Input type	PNP
Response time typical	< 1 ms
<b>Mechanical data</b>	
Cascadable	No
Design	Dome, K30L
Dimensions	Ø 30 x 57 mm
Housing material	Plastic, PC, Black
Window material	Polycarbonate, diffuse
Electrical connection	Connector, M12 × 1, PVC
Number of cores	4
Ambient temperature	-40...+50 °C
Relative humidity	0...90 %
Protection class	IP67 IP69

## Features

- LED all-round visible
- Individually controllable
- Mechanical screw-in thread M22x1.5
- Protection class IP67
- Monochrome: Blue (COL 1)
- Male M12x1
- Operating voltage 10...30 VDC

## Wiring diagram



## Technical data

### Tests/approvals

MTTF 626 years acc. to SN 29500 (Ed. 99) 40 °C

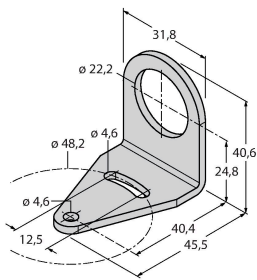
Approvals CE

## Accessories

SMB22A

3079414

Mounting bracket, stainless steel, for K30L series



## Accessories

Dimension drawing	Type	ID	
	RKC4.4T-2/TEL	6625013	Connection cable, M12 female connector, straight, 4-pin, cable length: 2 m, jacket material: PVC, black; cULus approval
	WKC4.4T-2/TEL	6625025	Connection cable, M12 female connector, angled, 4-pin, cable length: 2 m, jacket material: PVC, black; cULus approval