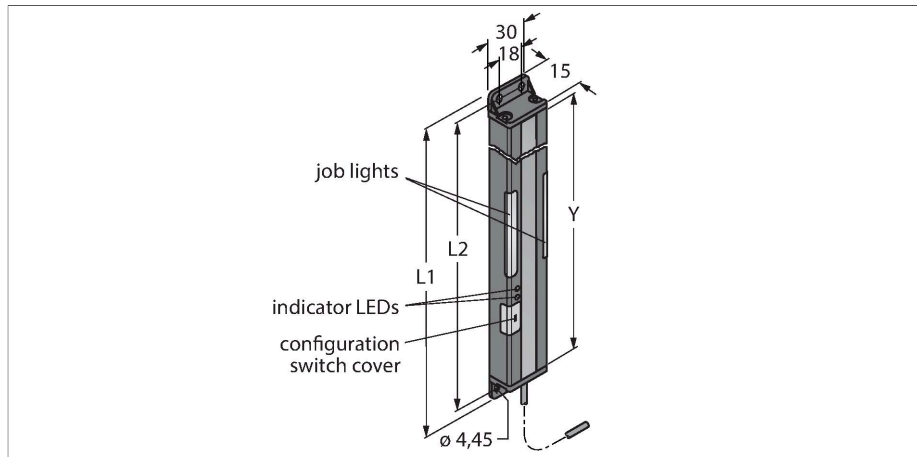


# PVA225N6E

## Pick-to-Light – Placement Sensor

### Light Grid



### Features

- Scan field Y: 225 mm
- Total height 266.4 mm
- 10-beam system, beam spacing 25 mm
- Emitter
- Range max. 2 m
- Light / Dark operation
- Selectable frequency as protection against crosstalk
- Operating voltage 12...30 VDC
- Input of operation request light +24 VDC
- Protection class IP62

### Wiring diagram



### Functional principle

This light screen used for fault detection and assembly sequences, has good visible job lights at the emitter and the receiver, guiding the operator through the picking sequence. Missing parts and incorrect assembly are thus avoided. A control unit issues the work sequence and indicates the next work step after receiving feedback from the light screen. Misspick is immediately detected and indicated by a red flashing light.

### Technical data

Type	PVA225N6E
ID	3051926
<b>Signal and display data</b>	
Purpose	Pick-to-Light
Function	Opposed mode sensor
Max. range	2000 mm
Light type	IR
Scan field	225 mm
Number of beams	10
Optical resolution	25 mm
Switch Function	Momentary
Features of color 1	Green, Can be set via DIP switches
<b>Electrical data</b>	
Operating voltage	12...30 VDC
Max. current consumption per color	62 mA
Input type	Bipolar (PNP/NPN)22
Response time typical	< 40 ms
<b>Mechanical data</b>	
Design	Rectangular, PVA
Dimensions	266.4 x 30 x 15 mm
Housing material	Metal, AL, Black
Window material	Acrylic, clear
Electrical connection	Cable, 2 m, PVC
Number of cores	4
Ambient temperature	0...+50 °C

## Technical data

Protection class IP62

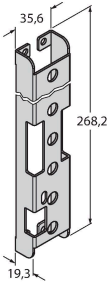
Tests/approvals

Approvals CE, cURus

## Accessories

SMBPVA10

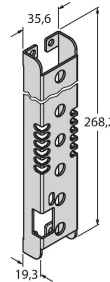
3056809



Mounting bracket, for PVA225, cold-rolled steel, cut-out for DIP switch block

SMBPVA10A

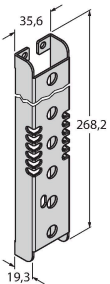
3062447



Mounting bracket, for PVA225, cold-rolled steel, cut-out for DIP switch block, protection for light

SMBPVA10AB

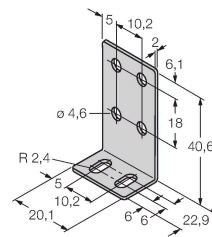
3070806



Mounting bracket, for PVA225, cold-rolled steel, no cut-out for DIP switch block, protection for light

SMBPVA1

3056884



Mounting bracket, for PVA and PVD, stainless steel; set consisting of two brackets and screws