

excom I/O System

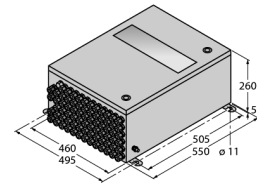
System Enclosure 460 x 550 x 260

EG-VA465526/112-0400/3GD






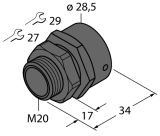
- Stainless steel quality 1.4404 (AISI 316L)
- With inspection window
- Receptacle plate equipped with plastic cable glands (4 × M25 power supply, 4 × M20 Ex i bus, 66 × M20 Ex i I/O signals) and 1 × M20 breather/drainner
- Additional installation of Ex e terminals (2 × UT10, 2 × UT10-BU, 2 × UT10-PE) for connecting the supply voltage
- Stainless steel housing with built-in module rack MT08-3G

Dimensions



Type	EG-VA465526/112-0400/3GD
ID	100004327
Operating voltage	19.2...32 VDC
Device designation	⊕ II 3 (1) G Ex ec nA ib ic [ia Ga] IIC T4 Gc
Device designation	⊕ II 3 (1) D Ex tc [ia Da] IIIC T135°C Dc
Built-ins	
Module racks	1 x MT08-3G
Ex-e terminals	2 x UT 10, 2 x UT 10 BU, 2 x UT 10-PE; Phoenix Contact
Terminal cross-section	0.5...10 mm ² (AWG: 20...8)
Receptacle plate	
Supply	4 × M25 (Ø 10...17 mm), plastic, black
Fieldbus	4 x M20 (Ø 7...13 mm), plastic, blue
Field signals	66 x M20 (Ø 7...13 mm), plastic, blue
Breather/Drainer	1 x M20, plastic
Housing material	Stainless steel, 1.4404 (AISI 316L)
Wall thickness	1.5 mm
Housing surface	Grinded and polished (240 grain size distribution)
Housing color	Stainless steel, unvarnished
Sealing material	silicone
Inspection window	yes
Connection mode	Wall mounting
Earthing bolt	M8 x 1.5
Protection class	IP66
Relative humidity	≤ 93 % at 40 °C acc. to IEC 60068-2-78 Test Cab
Vibration test	Acc. to IEC 60068-2-6
Shock test	Acc. to IEC 60068-2-27
Dimensions	460 x 550 x 260 mm
Approvals	Ex-Approval

Accessories

Type code	Ident no.		Dimension drawing
VSTS22	6884043	Socket spanner for cable glands, SW22	
VSTS24	6900462	Socket spanner for cable glands, SW24	
VSTS27	6884073	Socket spanner for cable glands, SW27	
ELST-M20EX	6884033	Pressure compensation element (plastic), prevents condensation inside the housing	
SK8	6900360	Shield terminal for shielding bus bars, PU 10 pieces	