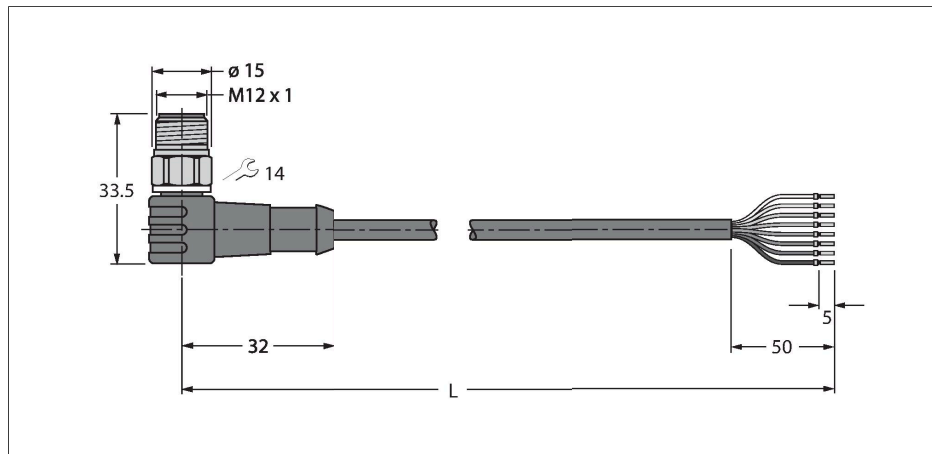


WSCV8T-2/TFW

Actuator And Sensor Cable, PP-EPDM – Connection Cable

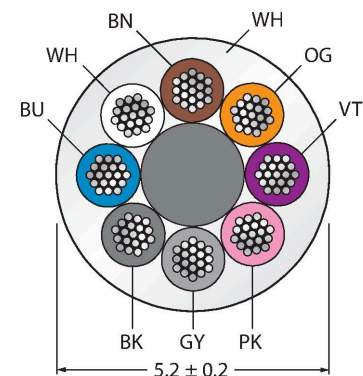


Features

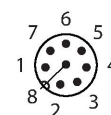


- M12 male connector, angled, 8-pin
- Stainless steel coupling nut/screw
- Sheath material: PP-EPDM
- Sheath color: white
- Resistant to acids and alkaline solutions
- Resistant to detergents and disinfectants
- Resistant to hydrolysis acc. to DIN EN 60068-2-78
- Free from silicone and PVC
- Halogen-free acc. to DIN EN 50267-2-1, IEC 60754-1, VDE 0482-267-2-1
- Approvals: Ecolab, FDA
- RoHS and REACH compliant
- Protection classes IP67, IP69K
- Cable length: 2.0 m

Cable Cross-Section



Contact assignment



Technical data

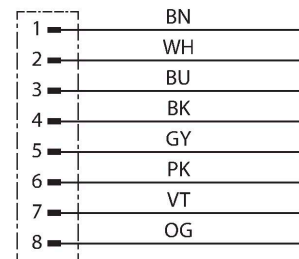
Type	WSCV8T-2/TFW
ID	6934683
Connector A	Male, M12 × 1, Angled
Number of Pins	8
Contacts	Brass, CuZn, Gold-plated
Contact carriers	Plastic, PP, White
Connector body	Plastic, PP, White
Coupling nut/screw	Stainless Steel, V4A
Seal	FPM/FKM
Tightening torque (range)	0.8 ... 1 Nm (observe max. torque of mating connector!)
Mechanical lifespan	> 100 Mating cycles
Pollution degree	3
Protection class	IP67, IP69K, Only in screwed condition
Cable	
Cable diameter	Ø 5.2 mm ±0.20
Cable length	2 m
Cable jacket	PP-EPDM, White
Core insulation	PE
Core cross-section	8 x 0.25 mm ²
Arrangement of strands	32 x 0.1 mm
Core colors	BN, WH, BU, BK, GY, PK, VT, OG
Electrical properties at +20 °C	
Rated voltage	30 V
Test voltage	500 V
Current	2 A
forward resistance	max. 79 Ω/km

Technical data

Mechanical and chemical properties

Bending radius (stationary installation)	$\geq 5 \times \varnothing$
Bending radius (flexible use)	$\geq 10 \times \varnothing$
Ambient temperature range (stationary)	-40...+105 °C
Ambient temperature range (In motion)	0...+80 °C

Circuit Diagram



Accessories

TORQUE-WRENCH-SET-AS	6936170
----------------------	---------

Torque wrench set; handles with adjustable torque 0.4-1.0 Nm, torque wrench for M8 (SW9), fork wrench for M12 (SW 14)