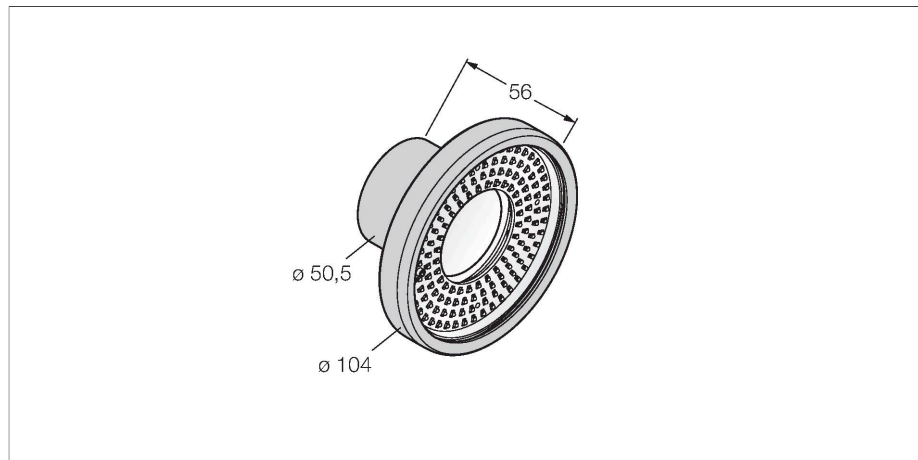


PPROCAMCSC-G

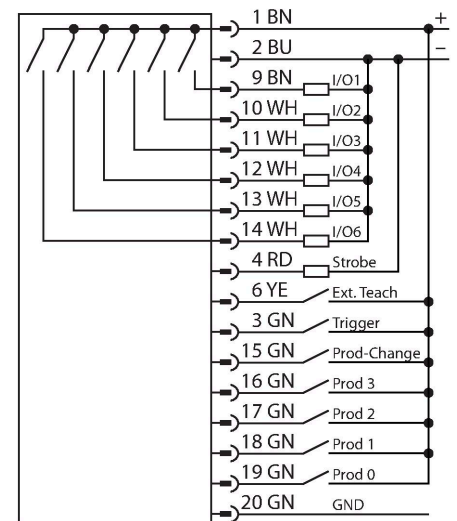
Vision Systems – Camera P3



Features

- Compact camera with integrated ring light
- Housing material aluminium
- Glas inspection window
- Protection class IP68
- Lens to be ordered separately
- Separate controller required, type PPROCTL
- 1/3" CCD, 640x480 pixels
- 256 gray scale values

Wiring diagram



Functional principle

The image processing system PresencePLUS PRO consists of the compact camera and the processing unit incorporated in a separate controller. Lens, external/internal lighting and connection cable are to be ordered separately. Freeware and firmware updates are available for download on: www.bannerengineering.com

Technical data

Type	PPROCAMCSC-G
ID	3077024
Camera data	
Resolution	640 x 480 Pixels
Special features	Wash down
DC rated operational current	≤ 650 mA
Communication protocol	EtherNet/IP Modbus TCP Modbus TCP PCCC RS232

Mechanical data	
Dimensions	Ø 104 x 143.3 mm
Housing material	Metal, Nickel-plated aluminum
Window material	Glass, clear
Ambient temperature	0...+50 °C
Protection class	IP68
Tests/approvals	
Approvals	CE

Accessories

Dimension drawing	Type	ID
	PPC06	3062409
	PPC06RA	3070827