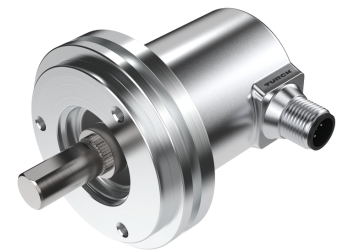
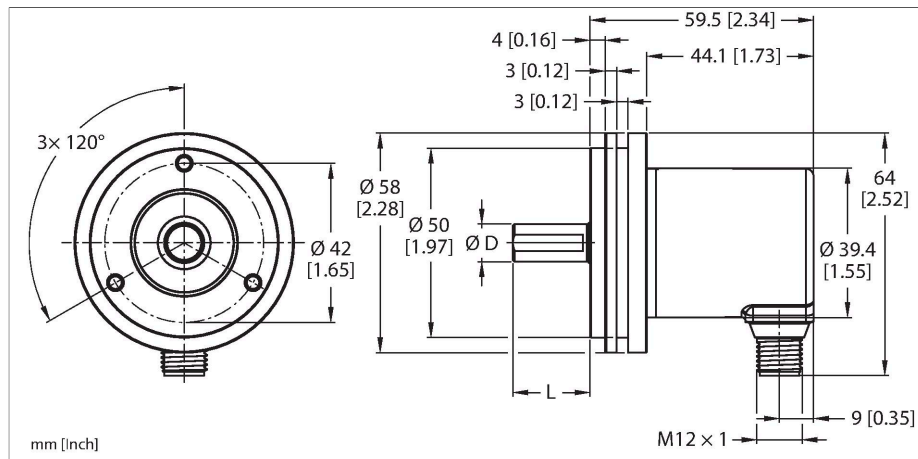


REM-116T10S-7ASARNS-H1151

Absolute Rotary Encoder - Multiturn Industrial Line



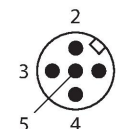
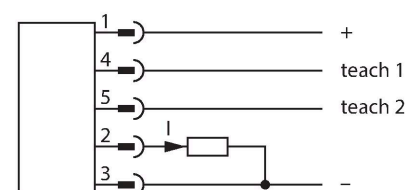
Technical data

Type	REM-116T10S-7ASARNS-H1151
ID	100012463
Measuring principle	Magnetic
General data	
Max. Rotational Speed	4000 rpm
Absolute accuracy	± 1 ° At 25 °C
Output type	Absolute multiturn
Electrical data	
Operating voltage	10...30 VDC
No-load current	38 mA
Short-circuit protection	yes
Wire breakage/Reverse polarity protection	yes
Output function	Analog output
Current output	4...20 mA
DA converter resolution	12 Bit
Mechanical data	
Design	Solid shaft
Flange type	Synchro flange
Flange diameter	Ø 58 mm
Shaft Type	Solid shaft
Shaft diameter D [mm]	10
Shaft Length L [mm]	20
Shaft material	Stainless steel
Housing material	Die-cast zinc
Electrical connection	Connector, M12 x 1

Features

- Synchro flange, Ø 58 mm
- Solid shaft, Ø 10 mm x 20 mm
- Magnetic measuring principle
- Shaft material: stainless steel
- Protection class IP65 on housing and shaft side
- -40...+85°C
- Max. 4000 rpm (continuous operation: 2000)
- Energy harvesting technology
- 10...30 VDC
- Analog output, 4...20 mA scalable up to 65536 revolutions without limit switch/CW
- M12 x 1 male connector, 5-pin

Wiring diagram



Technical data

	5-pin
Axial shaft load	40 N
Radial shaft load	80 N
Environmental conditions	
Ambient temperature	-40...+85 °C
Vibration resistance (EN 60068-2-6)	30 g (300 m/s ²), 10...2000 Hz
Shock resistance (EN 60068-2-27)	500 g (2500 m/s ²), 4 ms
Protection class	IP65
Protection class shaft	IP65

Accessories

Dimension drawing	Type	ID	
	RKC4.5T-2/TEL	6625016	Connection cable, M12 female connector, straight, 5-pin, cable length: 2 m, jacket material: PVC, black; cULus approval

