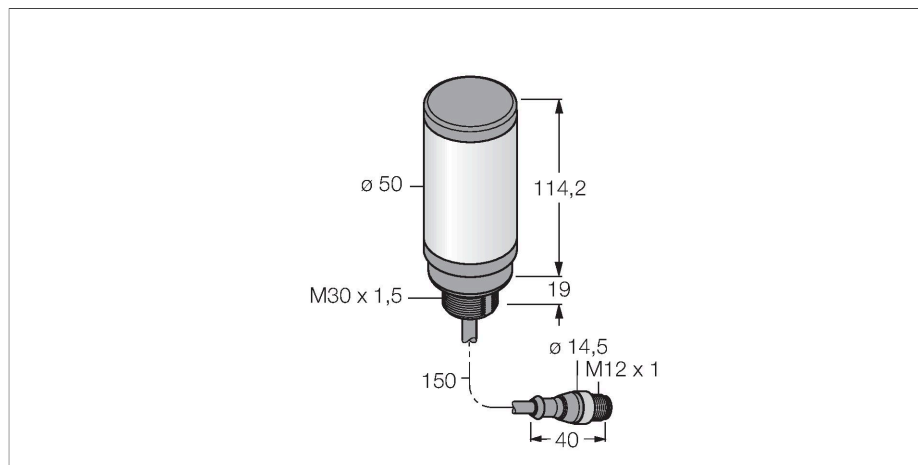


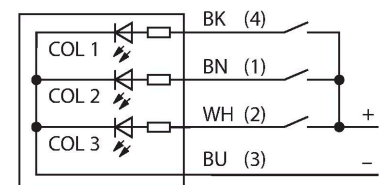
CL50XRXQPQ LED Indicator – Tower Light



Features

- LED tower light
- Individually controllable
- Mechanical screw-in thread M30x1.5
- Protection class IP67
- Monochrome: Red (COL 2)
- Cable with male end M12 x 1
- Operating voltage 18...30 VDC

Wiring diagram



Functional principle

Multicolor/multifunction display
Rugged and well-priced LED tower, easy to install
Illuminated segments for clear operator guidance and display of system status.
Display of up to 3 colors.
Compact devices, no controller required
No mounting
The wiring diagram shows the PNP input configuration. An instruction leaflet with detailed information about the connection is included with the devices.

Technical data

Type	CL50XRXQPQ
ID	3010496
Signal and display data	
Purpose	LED indicator light
Function	Tower light
Light type	Red
Dimmable	No
Features of color 1	Red, Permanently on, 38 lm
Electrical data	
Operating voltage	18...30 VDC
DC rated operational current	≤ 100 mA
Max. current consumption per color	100 mA
Input type	PNP
Response time typical	< 10 ms
Mechanical data	
Cascadable	No
Design	Smooth barrel, CL50
Dimensions	Ø 50 x 114.2 mm
Housing material	Plastic, ABS/Polycarbonate, Black
Window material	Polycarbonate, diffuse
Electrical connection	Cable with connector, M12 × 1, 0.15 m, PVC
Number of cores	4
Ambient temperature	-40...+50 °C
Relative humidity	0...95 %
Protection class	IP67

Technical data

Tests/approvals

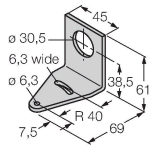
Approvals CE, UL listed

Accessories

SMB30A

3032723

Mounting bracket, rectangular, stainless steel, for sensors with 30mm thread



SMB30SC

3052521

Mounting bracket, PBT black, for sensors with 30 mm thread, rotatable

