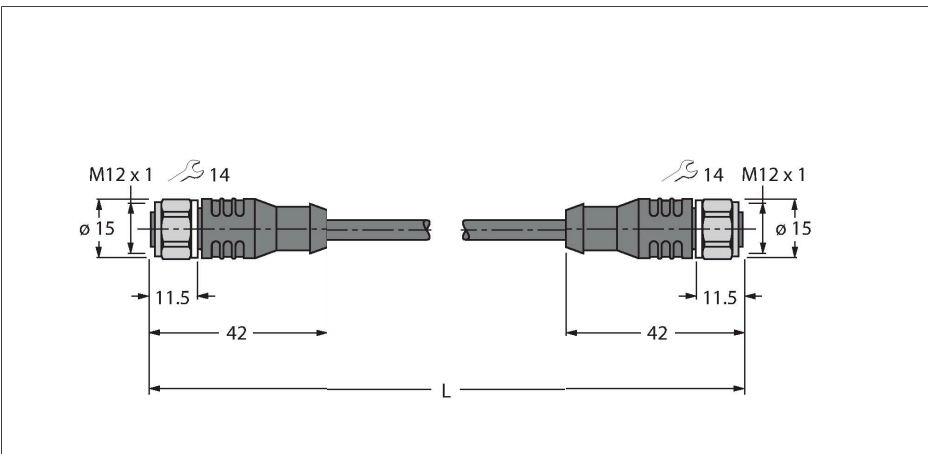


# RKCV8T-20-RKCV8T/TFW

## Actuator And Sensor Cable, PP-EPDM – Extension Cable



### Features

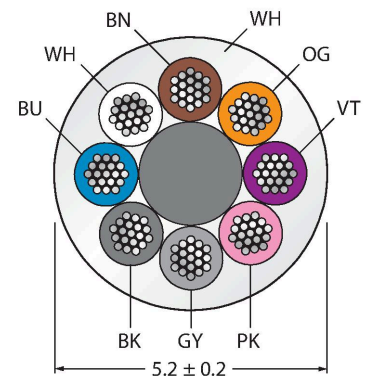


- M12 female connector, straight, 8-pin
- Stainless steel coupling nut/screw
- M12 female connector, straight, 8-pin
- Sheath material: PP-EPDM
- Sheath color: white
- Resistant to acids and alkaline solutions
- Resistant to detergents and disinfectants
- Resistant to hydrolysis acc. to DIN EN 60068-2-78
- Free from silicone and PVC
- Halogen-free acc. to DIN EN 50267-2-1, IEC 60754-1, VDE 0482-267-2-1
- Approvals: Ecolab, FDA
- RoHS and REACH compliant
- Protection classes IP67, IP69K
- Cable length: 20 m

### Technical data

|                              |  |
|------------------------------|--|
| Type                         | RKCV8T-20-RKCV8T/TFW                                       |
| ID                           | 6935843  |
| Connector A                  | Female, M12 × 1, Straight                                  |
| Number of Pins               | 8  |
| Contacts                     | Brass, CuZn, Gold-plated                                   |
| Contact carriers             | Plastic, PP, White   |
| Connector body               | Plastic, PP, White   |
| Coupling nut/screw           | Stainless Steel, V4A                                       |
| Seal                         | Plastic, FPM/FKM   |
| Tightening torque (range)    | 0.8 ... 1 Nm<br>(observe max. torque of mating connector!) |
| Mechanical lifespan          | > 100 Mating cycles  |
| Pollution degree             | 3  |
| Protection class             | IP67, IP69K, Only in screwed condition                     |
| Connector B                  | Female, M12 × 1, Straight                                  |
| Number of pins               | 8  |
| Contacts                     | Brass, CuZn, Gold-plated                                   |
| Contact carriers             | Plastic, PP, White   |
| Connector body               | Plastic, PP, White   |
| Coupling nut/retaining screw | Stainless Steel, V4A                                       |
| Seal                         | Plastic, FPM/FKM   |
| Tightening torque            | 0.8 ... 1 Nm (observe max. torque of mating connector!)    |
| Mechanical life              | > 100 Mating cycles  |
| Pollution degree             | 3  |
| Protection class             | IP67, IP69K, Only when screwed together                    |

### Cable Cross-Section



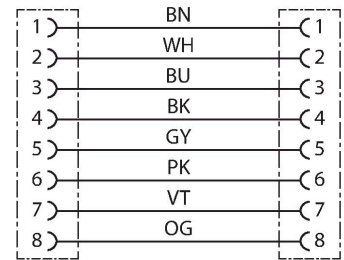
### Contact assignment



## Technical data

| Cable                                    |                                |
|--|--------------------------------|
| Cable diameter                           | Ø 5.2 mm ±0.20                 |
| Cable length                             | 20 m                           |
| Cable jacket                             | PP-EPDM, White                 |
| Core insulation                          | PE                             |
| Core cross-section                       | 8 x 0.25 mm <sup>2</sup>       |
| Arrangement of strands                   | 32 x 0.1 mm                    |
| Core colors                              | BN, WH, BU, BK, GY, PK, VT, OG |
| Electrical properties at +20 °C          |                                |
| Rated voltage                            | 30 V                           |
| Test voltage                             | 500 V                          |
| Current                                  | 2 A                            |
| forward resistance                       | max. 79 Ω/km                   |
| Mechanical and chemical properties       |                                |
| Bending radius (stationary installation) | ≥ 5 x Ø                        |
| Bending radius (flexible use)            | ≥ 10 x Ø                       |
| Ambient temperature range (stationary)   | -40...+105 °C                  |
| Ambient temperature range (In motion)    | 0...+80 °C                     |

## Circuit Diagram



## Accessories

| TORQUE-WRENCH-SET-AS  | 6936170 |
|---|---------|
| Torque wrench set; handles with adjustable torque 0.4-1.0 Nm, torque wrench for M8 (SW9), fork wrench for M12 (SW 14) |         |