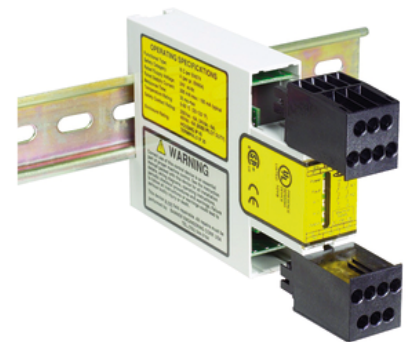
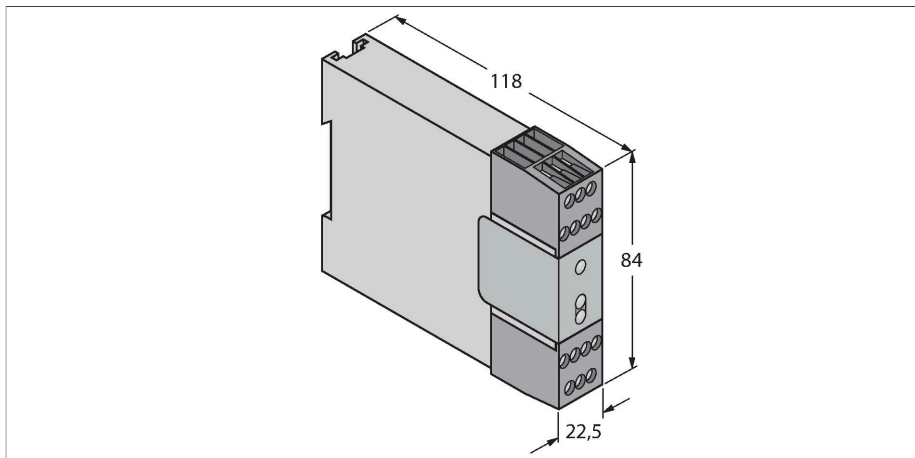


# AT-FM-10K

## Safety Relay – For Two-Hand Control System



### Technical data

Type	AT-FM-10K
ID no.	3060698
Function	Safety relay
Operating voltage	21...28 VDC
Operating voltage	24 VAC
Output function	2 normally open contact
Response time typical	< 35 ms
Design	Terminal chamber
Dimensions	118 x 22.5 x 84 mm
Housing material	Plastic, PC
Electrical connection	Removable terminal block, reverse polarity protected, screw connection
Ambient temperature	0...+50 °C
Relative humidity	0...90 %
Protection class	IP20
Power-on indication	LED, Green
Switching state	LED, Green
Error indication	LED, red
MTTF	28 years acc. to SN 29500 (Ed. 99) 40 °C

### Features

- Safety category 4 acc.to ISO 13849-1 (EN 954-1)
- Connection for 2 optical Duo Touch operating elements
- Operating voltage 24 VDC +/-15 %
- Protection class IP20