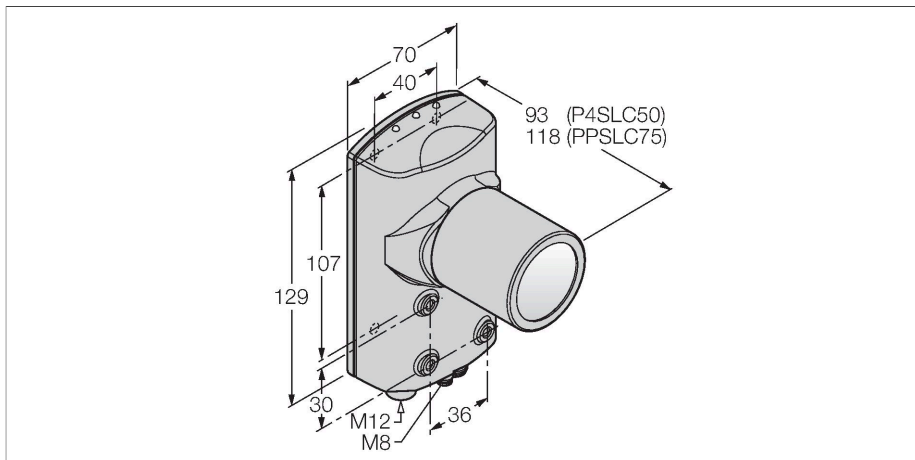


# P4ORS

## Vision Systems – Camera with Integrated Analysis



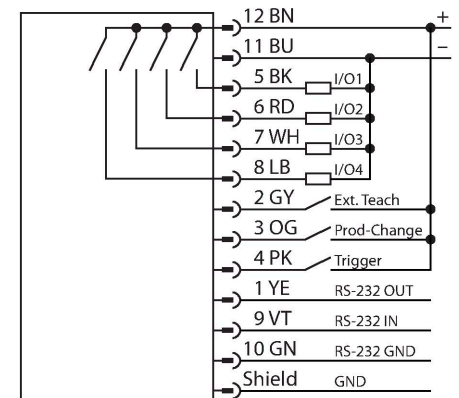
### Technical data

Type	P4ORS
ID	3010407
<b>Camera data</b>	
Function	Multifunctional
Resolution	640 x 480 Pixels
Special features	Wash down
<b>Electrical data</b>	
Operating voltage	10...30 VDC
DC rated operational current	≤ 650 mA
Communication protocol	EtherNet/IP Modbus TCP Modbus TCP PCCC RS232
Output function	NO contact, PNP/NPN
Power on display	LED, Green
Switching state	LED, Green
Error indication	LED, red
<b>Mechanical data</b>	
Design	Right-angled, P4
Dimensions	129 x 70 x 93 mm
Housing material	Metal, Nickel-plated aluminum
Electrical connection	Connector, M12 × 1, 12-wire
Ambient temperature	0...+50 °C
Protection class	IP68
<b>Tests/approvals</b>	
Approvals	CE

### Features

- Full scope of function, AREA, EDGE and GEO
- 1/3" CCD, 640x480 pixels
- 256 gray scale values
- One-piece design with camera and integrated controller
- Lens connection vertical to longitudinal axis of housing
- Protection class IP68
- Lens to be ordered separately
- Operating voltage: 10...30 VDC via M12 x 1 male, 12-pin
- External trigger input
- External strobe output, M8x1, 3-pin
- EtherNet/IP and Modbus TCP interface, M12x1, 8-pin
- RS232 data communication
- Video input

### Wiring diagram

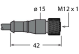


### Functional principle

The camera system PresencePLUS P4 consists of a camera with an integrated processing unit. Lens, lighting and connection

cable are to be ordered separately. Freeware and firmware updates are available for download on:  
[www.bannerengineering.com](http://www.bannerengineering.com)

## Accessories

Dimension drawing	Type	ID	
	MQDC2S-1206	3011420	Power supply, M12 × 1 female connector, 12-pin, cable length: 1.83 m
	PKG4M-2/CS	3079986	Coaxial BNC connection cable, cable length: 2.0 m
	STP-MAQDC-806	3079990	Ethernet data cable, RJ45 on M8 × 1, cable length: 1.83 m