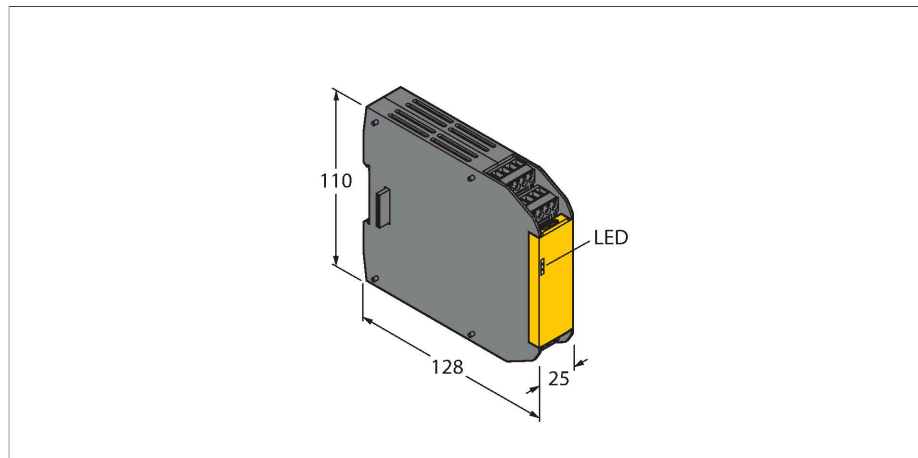


# XS16SI

## Safety Technology – Safety Input Module



### Features

- Only for use with XS26-2xx safety controller
- PLe acc. to ISO 13849-1
- SIL 3 acc. to IEC 61508 and IEC 62061
- 16 safety inputs, of which 4 can be reconfigured as outputs
- Protection class IP20

### Functional principle

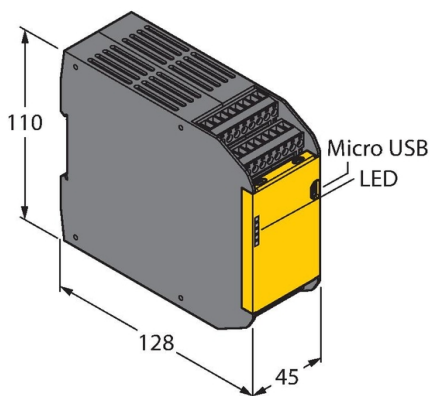
Additional safety inputs and outputs as well as safety relay outputs can be connected to the expandable safety controller. Up to eight extension modules can be added in any combination of inputs and outputs to a XS26-2xx expandable safety controller.

### Technical data

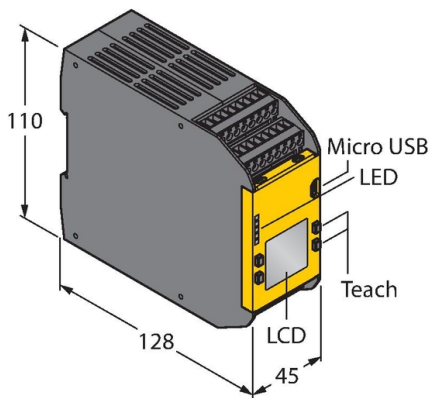
Type	XS16SI
ID no.	3085069
Function	Extension module
Design	Terminal chamber
Housing material	Plastic, PC, Black
Electrical connection	Removable terminal block, reverse polarity protected, screw connection
Ambient temperature	0...+55 °C
Relative humidity	0...90 %
Protection class	IP20
Tests/approvals	

### Accessories

Dimension drawing	Type	ID no.	
	XS26-2	3085061	Expandable Programmable Safety Controller



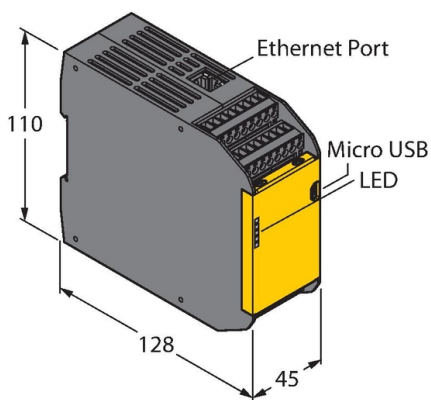
Dimension drawing	Type	ID no.	
-------------------	------	--------	--



XS26-2D

3085062

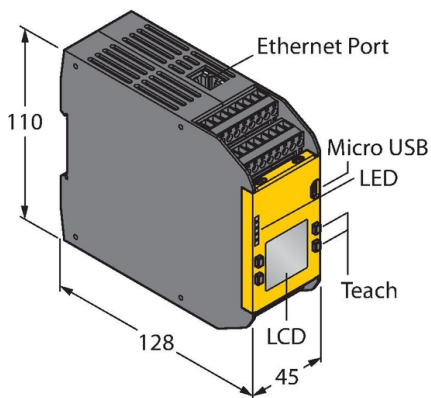
Expandable Programmable Safety Controller



XS26-2E

3085063

Expandable Programmable Safety Controller



XS26-2DE

3085064

Expandable Programmable Safety Controller