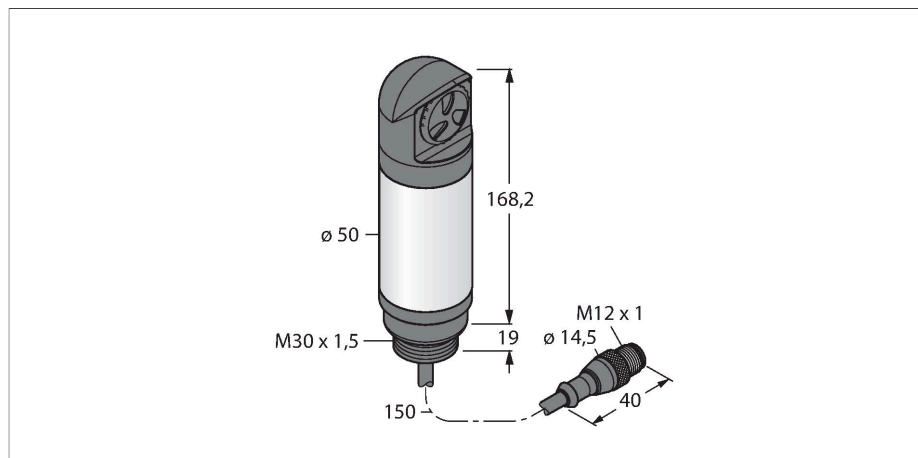


# CL50GYRALS4PQP

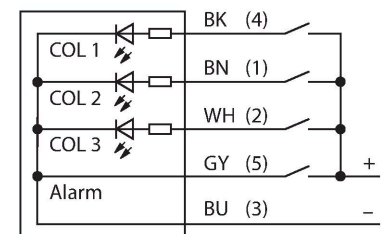
## LED Indicator – Tower Light



### Features

- LED tower light with beeper
- Individually controllable
- Mechanical screw-in thread M30 x 1.5
- Protection class IP67
- Cable with male end M12 x 1
- Operating voltage 10...30 VDC
- Beeper: Sealed, stakkato max. 94 dB

### Wiring diagram



### Functional principle

Multicolor multifunction acoustic signaller  
 Rugged and well-priced LED tower, easy to install  
 Illuminated segments for clear operator guidance and display of system status.  
 Display of up to 3 colors.  
 Compact devices, no controller required  
 No mounting  
 The wiring diagram shows the PNP input configuration. An instruction leaflet with detailed information about the connection is included with the devices.

### Technical data

Type	CL50GYRALS4PQP
ID	3086600
Purpose	LED indicator light
Function	Tower light
Light type	Green Yellow Red
Dimmable	No
Features of color 1	Green, Permanently on, 72 lm
Features of color 2	Yellow, Permanently on, 30 lm
Features of color 3	Red, Permanently on, 38 lm
Acoustic signal	Staccato, 94 dB
<b>Electrical data</b>	
Operating voltage	18...30 VDC
Max. current consumption per color	100 mA
Max. current consumption of beeper	35 mA
Input type	PNP
Response time typical	< 10 ms
<b>Mechanical data</b>	
Cascadable	No
Design	Smooth barrel, CL50
Dimensions	Ø 50 x 168.2 mm
Housing material	Plastic, ABS/Polycarbonate, Black
Window material	Polycarbonate, diffuse
Electrical connection	Cable with connector, M12 x 1, 0.15 m, PVC
Number of cores	5
Ambient temperature	-20...+50 °C

## Technical data

Relative humidity	0...95 %
Protection class	IP67
<b>Tests/approvals</b>	
Approvals	CE, UL listed