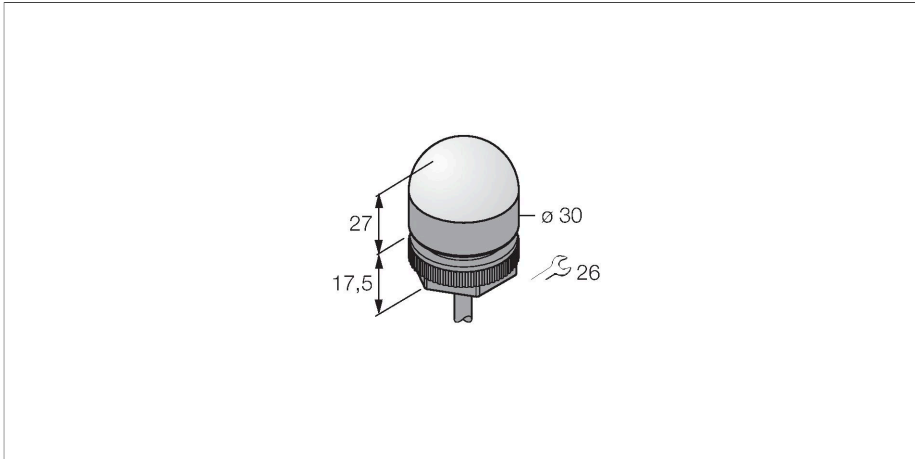


K30LBXXP

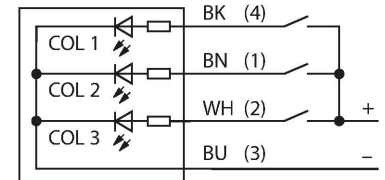
LED Indicator – Beacon



Features

- LED all-round visible
- Individually controllable
- Mechanical screw-in thread M22x1.5
- Protection class IP67
- Monochrome: Blue (COL 1)
- Cable 2 m
- Operating voltage 10...30 VDC

Wiring diagram



Technical data

Type	K30LBXXP
ID	3011225
Signal and display data	
Purpose	LED indicator light
Function	Spotlight
Light type	Blue
Dimmable	No
Features of color 1	Blue, Permanently on
Special features	Wash down
Electrical data	
Operating voltage	10...30 VDC
DC rated operational current	≤ 25 mA
Max. current consumption per color	25 mA
Input type	PNP
Response time typical	< 1 ms
Mechanical data	
Cascadable	No
Design	Dome, K30L
Dimensions	Ø 30 x 44.5 mm
Housing material	Plastic, PC, Black
Window material	Polycarbonate, diffuse
Electrical connection	Cable, 2 m, PVC
Number of cores	4
Ambient temperature	-40...+50 °C
Relative humidity	0...90 %
Protection class	IP67 IP69

Technical data

Tests/approvals

MTTF 626 years acc. to SN 29500 (Ed. 99) 40 °C

Approvals CE

Accessories

SMB22A

3079414

Mounting bracket, stainless steel, for K30L series

